

# STD Worm Reducer

## 2TD MOLW BEQNCER



# STD Worm Reducer

**SW**

**120**

**10**

**HB**

**A**

**R000**

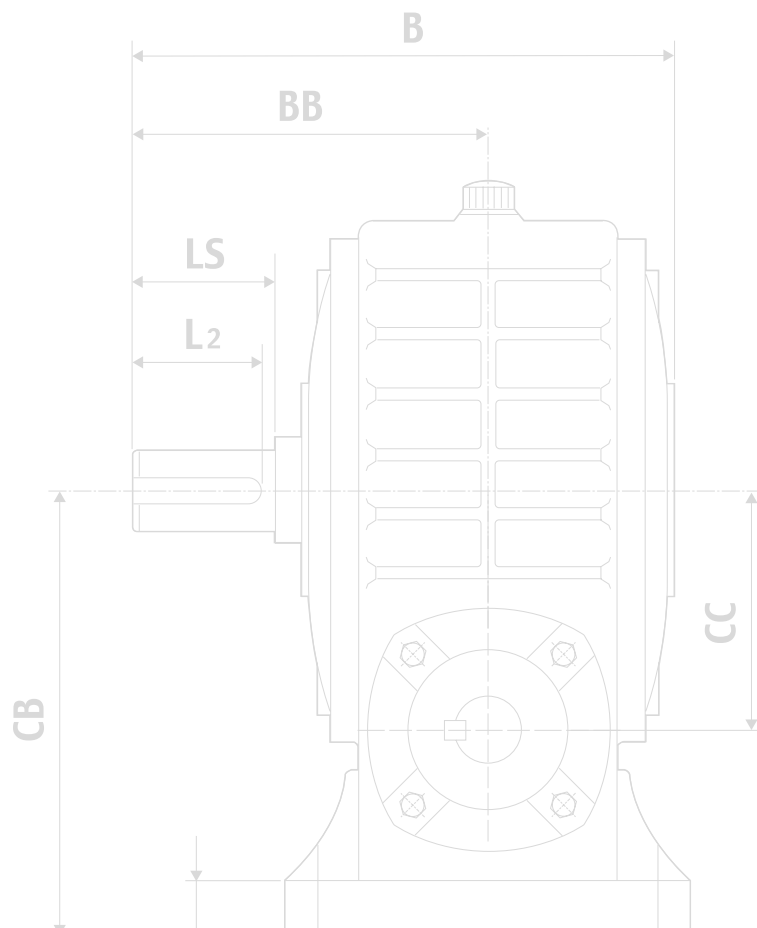
| 형 번 |      |
|-----|------|
| 33  | 33형  |
| 49  | 49형  |
| 60  | 60형  |
| 77  | 77형  |
| 88  | 88형  |
| 96  | 96형  |
| 120 | 120형 |
| 125 | 125형 |
| 140 | 140형 |

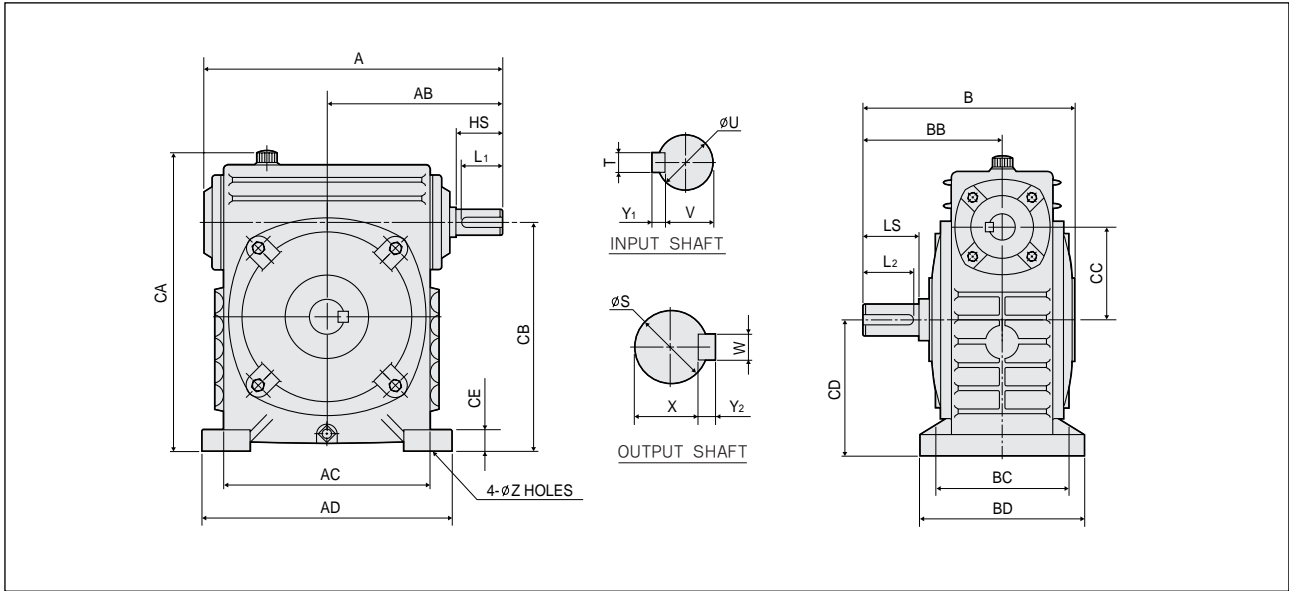
| 비 율  |        |
|------|--------|
| 10   | 1:10   |
| 15   | 1:15   |
| 20   | 1:20   |
| 25   | 1:25   |
| 30   | 1:30   |
| 40   | 1:40   |
| 50   | 1:50   |
| 60   | 1:60   |
| 80   | 1:80   |
| 90   | 1:90   |
| 100  | 1:100  |
| 120  | 1:120  |
| 150  | 1:150  |
| 180  | 1:180  |
| 200  | 1:200  |
| 150  | 1:150  |
| 300  | 1:300  |
| 400  | 1:400  |
| 500  | 1:500  |
| 600  | 1:600  |
| 800  | 1:800  |
| 900  | 1:900  |
| 1000 | 1:1000 |
| 1200 | 1:1200 |
| 1500 | 1:1500 |
| 1600 | 1:1600 |
| 1800 | 1:1800 |
| 2000 | 1:2000 |
| 2400 | 1:2400 |
| 2500 | 1:2500 |
| 3000 | 1:3000 |
| 3600 | 1:3600 |

| 형 태 |    |
|-----|----|
| HU  | HU |
| HB  | HB |
| VT  | VT |

| 축 배 치 및 회 전 |     |
|-------------|-----|
| A           | A타입 |
| B           | B타입 |
| C           | C타입 |
| D           | D타입 |
| E           | E타입 |
| F           | F타입 |

감속기 옵션





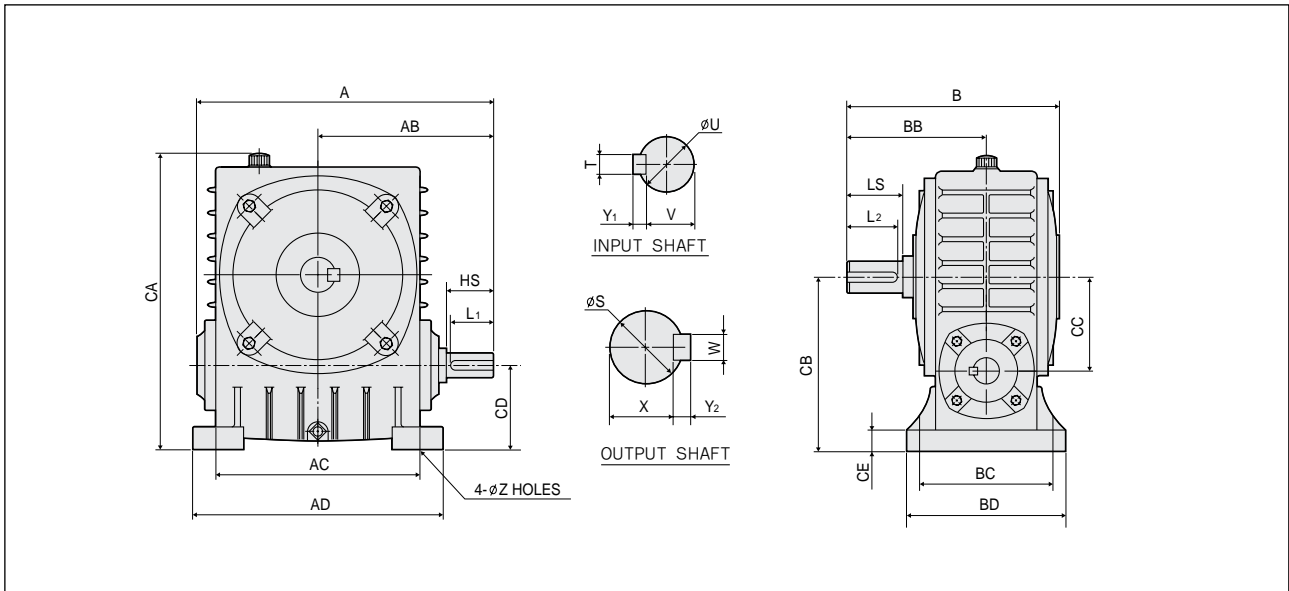
\*120형~140형은 EYE BOLT가 취부됨으로 전체 높이가 45mm 증가됨

## DIMENSION

| FRAME NO. | GEAR RATIO | A   | AB    | AC  | AD  | B   | BB  | BC  | BD  | CA  | CB  | CC  | CD  | CE |
|-----------|------------|-----|-------|-----|-----|-----|-----|-----|-----|-----|-----|-----|-----|----|
| U-33      | 1/10       | 136 | 80    | 85  | 110 | 120 | 80  | 80  | 100 | 125 | 88  | 33  | 55  | 12 |
| U-49      | 1/15       | 195 | 117.5 | 130 | 160 | 175 | 112 | 105 | 130 | 190 | 129 | 49  | 80  | 15 |
| U-60      | 1/20       | 235 | 139   | 140 | 170 | 190 | 122 | 120 | 155 | 225 | 159 | 60  | 99  | 16 |
| U-77      | 1/20       | 255 | 152   | 165 | 200 | 210 | 134 | 125 | 155 | 260 | 198 | 77  | 121 | 20 |
| U-88      | 1/30       | 305 | 180   | 170 | 220 | 230 | 150 | 150 | 180 | 290 | 214 | 88  | 126 | 23 |
| U-96      | 1/40       | 335 | 200   | 220 | 260 | 270 | 167 | 160 | 195 | 315 | 227 | 96  | 131 | 23 |
| U-120     | 1/50       | 385 | 225   | 275 | 325 | 270 | 176 | 170 | 210 | 400 | 293 | 120 | 173 | 27 |
| U-125     | 1/50       | 410 | 241   | 290 | 350 | 290 | 188 | 180 | 235 | 450 | 317 | 125 | 192 | 30 |
| U-140     | 1/60       | 460 | 270   | 290 | 335 | 320 | 210 | 200 | 255 | 455 | 311 | 140 | 171 | 33 |

| FRAME NO. | GEAR RATIO | Z  | HS | LS | L1 | L2 | INPUT |    |    |      | OUTPUT |    |    |      |
|-----------|------------|----|----|----|----|----|-------|----|----|------|--------|----|----|------|
|           |            |    |    |    |    |    | U     | T  | Y1 | V    | S      | W  | Y2 | X    |
| U-33      | 1/10       | 10 | 25 | 30 | —  | 25 | 12    | —  | —  | —    | 15     | 5  | 5  | 12   |
| U-49      | 1/15       | 10 | 35 | 40 | 30 | 38 | 16    | 5  | 5  | 13   | 23     | 7  | 7  | 19   |
| U-60      | 1/20       | 11 | 40 | 45 | 35 | 40 | 18    | 5  | 5  | 15   | 28     | 7  | 7  | 24   |
| U-77      | 1/20       | 13 | 45 | —  | 40 | 50 | 23    | 7  | 7  | 19   | 30     | 7  | 7  | 26   |
| U-88      | 1/30       | 14 | 55 | —  | 50 | 55 | 28    | 7  | 7  | 24   | 35     | 10 | 8  | 30.5 |
| U-96      | 1/40       | 14 | 55 | 60 | 50 | 55 | 28    | 7  | 7  | 24   | 38     | 10 | 8  | 33.5 |
| U-120     | 1/50       | 18 | 60 | 70 | 55 | 65 | 32    | 10 | 8  | 27.5 | 43     | 12 | 8  | 38.5 |
| U-125     | 1/50       | 19 | 60 | 80 | 55 | 75 | 35    | 10 | 8  | 30.5 | 50     | 12 | 8  | 45.5 |
| U-140     | 1/60       | 19 | 75 | 90 | 70 | 80 | 38    | 10 | 8  | 33.5 | 60     | 15 | 10 | 55   |

# SY-B WORM REDUCER/STD WORM

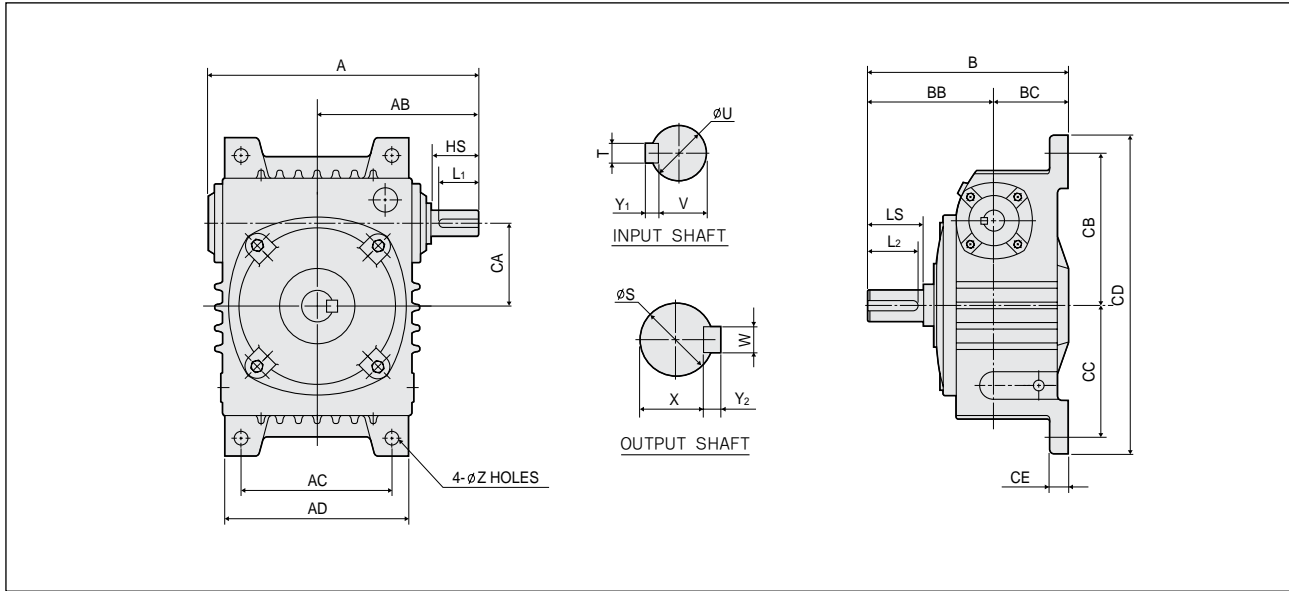


\*120형~140형은 EYE BOLT가 취부됨으로 전체 높이가 45mm 증가됨

## DIMENSION

| FRAME NO. | GEAR RATIO | A   | AB    | AC  | AD  | B   | BB  | BC  | BD  | CA  | CB  | CC  | CD  | CE |
|-----------|------------|-----|-------|-----|-----|-----|-----|-----|-----|-----|-----|-----|-----|----|
| B-49      | 1/10       | 195 | 117.5 | 130 | 160 | 175 | 112 | 105 | 130 | 190 | 114 | 49  | 65  | 15 |
| B-60      | 1/15       | 235 | 139   | 140 | 170 | 190 | 122 | 120 | 155 | 225 | 131 | 60  | 71  | 16 |
| B-77      | 1/20       | 265 | 152   | 165 | 200 | 210 | 134 | 125 | 155 | 260 | 150 | 77  | 73  | 20 |
| B-88      | 1/30       | 315 | 180   | 170 | 220 | 230 | 150 | 150 | 180 | 290 | 171 | 88  | 83  | 23 |
| B-96      | 1/30       | 345 | 200   | 220 | 260 | 270 | 167 | 160 | 195 | 305 | 179 | 96  | 83  | 23 |
| B-120     | 1/40       | 395 | 225   | 275 | 325 | 270 | 176 | 170 | 210 | 400 | 227 | 120 | 107 | 27 |
| B-125     | 1/50       | 420 | 241   | 290 | 350 | 290 | 188 | 180 | 235 | 440 | 237 | 125 | 112 | 30 |
| B-140     | 1/60       | 470 | 270   | 290 | 355 | 320 | 210 | 200 | 255 | 455 | 259 | 140 | 119 | 33 |

| FRAME NO. | GEAR RATIO | Z  | HS | LS | L1 | L2 | INPUT |    |    |      | OUTPUT |    |    |      |
|-----------|------------|----|----|----|----|----|-------|----|----|------|--------|----|----|------|
|           |            |    |    |    |    |    | U     | T  | Y1 | V    | S      | W  | Y2 | X    |
| B-49      | 1/10       | 10 | 35 | 40 | 30 | 38 | 16    | 5  | 5  | 13   | 23     | 7  | 7  | 19   |
| B-60      | 1/15       | 11 | 40 | 45 | 35 | 40 | 18    | 5  | 5  | 15   | 28     | 7  | 7  | 24   |
| B-77      | 1/20       | 13 | 45 | —  | 40 | 50 | 23    | 7  | 7  | 19   | 30     | 7  | 7  | 26   |
| B-88      | 1/30       | 14 | 55 | —  | 50 | 55 | 28    | 7  | 7  | 24   | 35     | 10 | 8  | 30.5 |
| B-96      | 1/30       | 14 | 55 | 60 | 50 | 55 | 28    | 7  | 7  | 24   | 38     | 10 | 8  | 33.5 |
| B-120     | 1/40       | 18 | 60 | 70 | 55 | 65 | 32    | 10 | 8  | 27.5 | 43     | 12 | 8  | 38.5 |
| B-125     | 1/50       | 19 | 60 | 80 | 55 | 75 | 35    | 10 | 8  | 30.5 | 50     | 12 | 8  | 45.5 |
| B-140     | 1/60       | 19 | 75 | 90 | 70 | 80 | 38    | 10 | 8  | 33.5 | 60     | 15 | 10 | 55   |

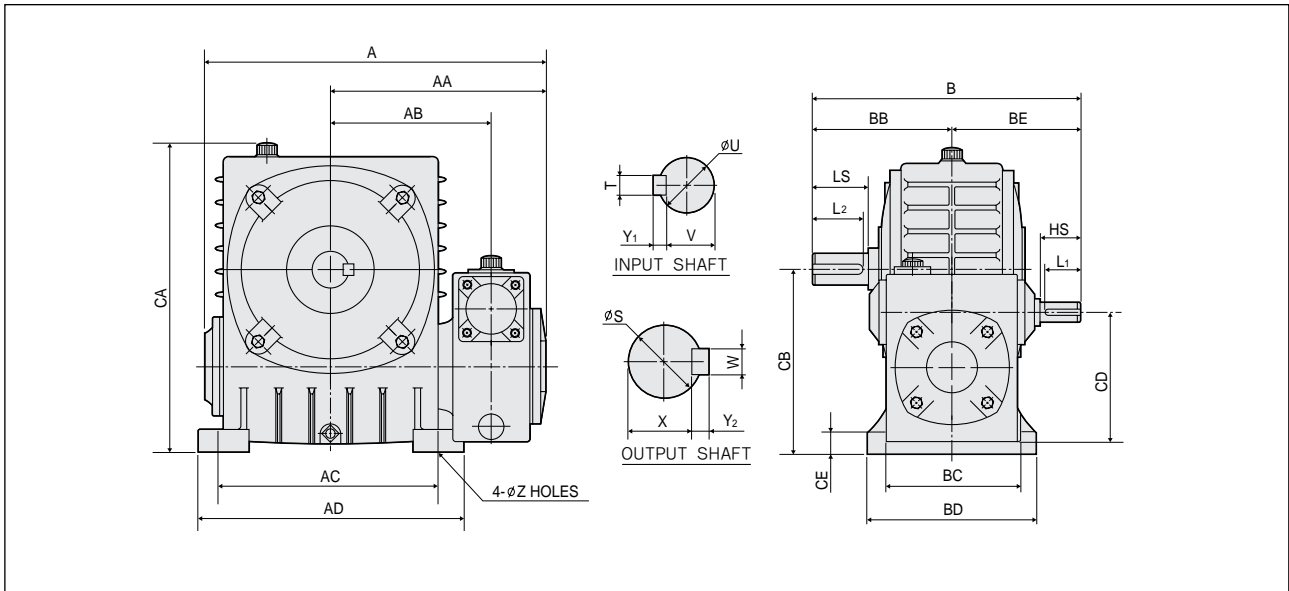


## DIMENSION

| FRAME NO. | GEAR RATIO | A   | AB    | AC  | AD  | B   | BB  | BC  | CA  | CB  | CC  | CD  | CE |
|-----------|------------|-----|-------|-----|-----|-----|-----|-----|-----|-----|-----|-----|----|
| V-49      | 1/10       | 195 | 117.5 | 92  | 125 | 178 | 112 | 66  | 49  | 112 | 85  | 215 | 13 |
| V-60      | 1/15       | 235 | 139   | 105 | 150 | 192 | 122 | 70  | 60  | 130 | 103 | 265 | 15 |
| V-77      | 1/20       | 265 | 152   | 125 | 170 | 205 | 134 | 71  | 77  | 153 | 107 | 300 | 17 |
| V-88      | 1/30       | 315 | 180   | 145 | 195 | 231 | 150 | 81  | 88  | 165 | 130 | 325 | 23 |
| V-96      | 1/40       | 345 | 200   | 180 | 240 | 249 | 158 | 91  | 96  | 175 | 140 | 355 | 23 |
| V-120     | 1/40       | 395 | 225   | 195 | 260 | 276 | 181 | 95  | 120 | 220 | 155 | 415 | 27 |
| V-125     | 1/50       | 420 | 241   | 221 | 285 | 309 | 190 | 119 | 125 | 220 | 174 | 455 | 31 |
| V-140     | 1/60       | 470 | 270   | 245 | 315 | 318 | 210 | 108 | 140 | 243 | 207 | 510 | 35 |

| FRAME NO. | GEAR RATIO | Z  | HS | LS | L1 | L2 | INPUT |    |    |      | OUTPUT |    |    |      |
|-----------|------------|----|----|----|----|----|-------|----|----|------|--------|----|----|------|
|           |            |    |    |    |    |    | U     | T  | Y1 | V    | S      | W  | Y2 | X    |
| V-49      | 1/10       | 10 | 35 | 40 | 30 | 38 | 16    | 5  | 5  | 13   | 23     | 7  | 7  | 19   |
| V-60      | 1/15       | 11 | 40 | 45 | 35 | 40 | 18    | 5  | 5  | 15   | 28     | 7  | 7  | 24   |
| V-77      | 1/20       | 13 | 45 | —  | 40 | 50 | 23    | 7  | 7  | 19   | 30     | 7  | 7  | 26   |
| V-88      | 1/30       | 14 | 55 | —  | 50 | 55 | 28    | 7  | 7  | 24   | 35     | 10 | 8  | 30.5 |
| V-96      | 1/30       | 14 | 55 | 60 | 50 | 55 | 28    | 7  | 7  | 24   | 38     | 10 | 8  | 33.5 |
| V-120     | 1/40       | 18 | 60 | 70 | 55 | 65 | 32    | 10 | 8  | 27.5 | 43     | 12 | 8  | 38.5 |
| V-125     | 1/50       | 19 | 60 | 80 | 55 | 75 | 35    | 10 | 8  | 30.5 | 50     | 12 | 8  | 45.5 |
| V-140     | 1/60       | 19 | 75 | 90 | 70 | 80 | 38    | 10 | 8  | 33.5 | 60     | 15 | 10 | 55   |

# SY-DH WORM REDUCER/STD WORM

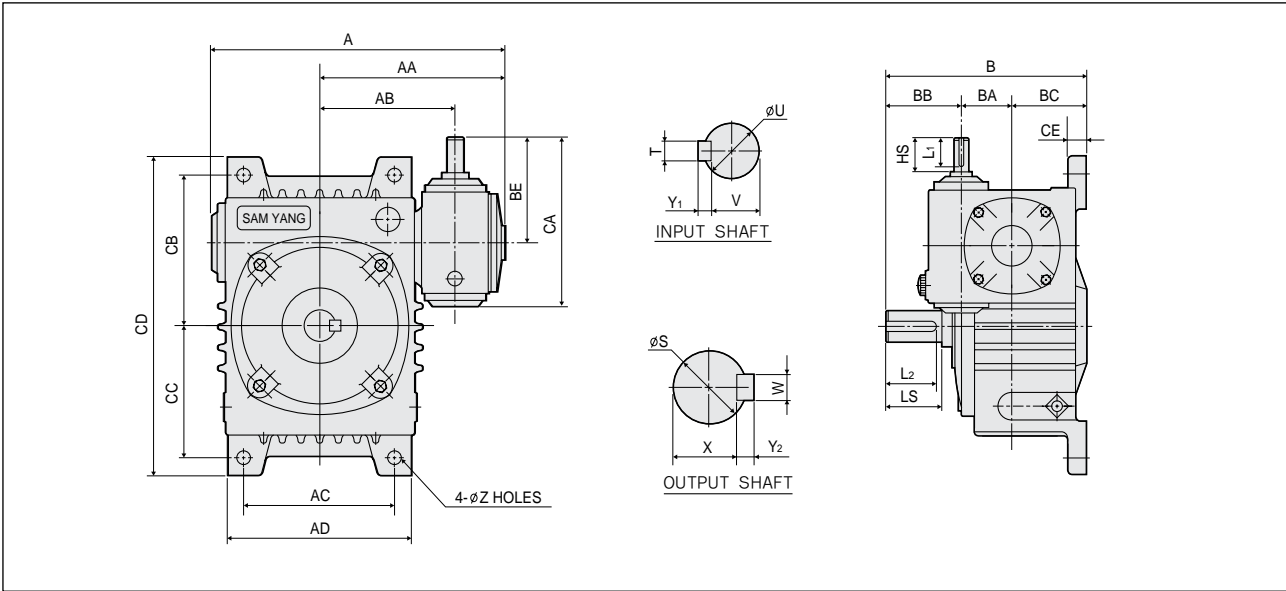


\*120형~140형은 EYE BOLT가 취부됨으로 전체 높이가 45mm 증가됨

## DIMENSION

| FRAME NO. | GEAR RATIO | A   | AA  | AB  | AC  | AD  | B   | BB  | BC  | BD  | BE  | CA  | CB  | CD  | CE |
|-----------|------------|-----|-----|-----|-----|-----|-----|-----|-----|-----|-----|-----|-----|-----|----|
| DH-60     | 1/200      | 293 | 187 | 126 | 140 | 170 | 238 | 122 | 120 | 155 | 116 | 225 | 131 | 114 | 16 |
| DH-77     | 1/300      | 298 | 195 | 134 | 165 | 200 | 253 | 134 | 125 | 155 | 119 | 260 | 150 | 116 | 20 |
| DH-88     |            | 332 | 207 | 149 | 170 | 220 | 275 | 150 | 150 | 180 | 125 | 290 | 171 | 143 | 23 |
| DH-96     | 1/400      | 360 | 223 | 165 | 220 | 260 | 292 | 167 | 160 | 195 | 125 | 305 | 179 | 143 | 23 |
| DH-120    | 1/500      | 445 | 285 | 214 | 275 | 325 | 335 | 176 | 170 | 210 | 159 | 400 | 227 | 179 | 27 |
| DH-125    | 1/600      | 455 | 286 | 215 | 290 | 350 | 347 | 188 | 180 | 235 | 159 | 440 | 237 | 184 | 30 |
| DH-140    |            | 495 | 305 | 233 | 290 | 355 | 369 | 210 | 200 | 255 | 159 | 455 | 259 | 191 | 33 |

| FRAME NO. | GEAR RATIO | Z  | HS | LS | L1 | L2 | INPUT |   |    |    | OUTPUT |    |    |      |
|-----------|------------|----|----|----|----|----|-------|---|----|----|--------|----|----|------|
|           |            |    |    |    |    |    | U     | T | Y1 | V  | S      | W  | Y2 | X    |
| DH-60     | 1/200      | 11 | 35 | 45 | 30 | 40 | 16    | 5 | 5  | 13 | 28     | 7  | 7  | 24   |
| DH-77     | 1/300      | 13 | 40 | —  | 35 | 50 | 18    | 5 | 5  | 15 | 30     | 7  | 7  | 26   |
| DH-88     |            | 14 | 45 | —  | 40 | 55 | 23    | 7 | 7  | 19 | 35     | 10 | 8  | 30.5 |
| DH-96     | 1/400      | 14 | 45 | 60 | 40 | 55 | 23    | 7 | 7  | 19 | 38     | 10 | 8  | 33.5 |
| DH-120    | 1/500      | 18 | 50 | 70 | 45 | 65 | 25    | 7 | 7  | 21 | 43     | 12 | 8  | 38.5 |
| DH-125    | 1/600      | 19 | 50 | 80 | 45 | 75 | 25    | 7 | 7  | 21 | 50     | 12 | 8  | 45.5 |
| DH-140    |            | 19 | 50 | 90 | 45 | 80 | 25    | 7 | 7  | 21 | 60     | 15 | 10 | 55   |



## DIMENSION

| FRAME NO. | GEAR RATIO | A   | AA  | AB  | AC  | AD  | B   | BA | BB  | BC  | BE  | CA  | CB  | CC  | CD  | CE |
|-----------|------------|-----|-----|-----|-----|-----|-----|----|-----|-----|-----|-----|-----|-----|-----|----|
| DV-60     | 1/200      | 293 | 187 | 126 | 105 | 150 | 192 | 43 | 79  | 70  | 116 | 185 | 130 | 103 | 265 | 15 |
| DV-77     | 1/300      | 298 | 195 | 134 | 125 | 170 | 205 | 43 | 91  | 71  | 119 | 188 | 153 | 107 | 300 | 17 |
| DV-88     |            | 332 | 207 | 149 | 145 | 195 | 231 | 60 | 90  | 81  | 125 | 205 | 165 | 130 | 325 | 23 |
| DV-96     | 1/400      | 360 | 223 | 165 | 180 | 240 | 249 | 60 | 98  | 91  | 125 | 205 | 175 | 140 | 355 | 23 |
| DV-120    | 1/500      | 445 | 285 | 214 | 195 | 260 | 276 | 72 | 109 | 95  | 159 | 263 | 220 | 155 | 415 | 27 |
| DV-125    | 1/600      | 455 | 286 | 215 | 221 | 285 | 309 | 72 | 118 | 119 | 159 | 263 | 220 | 174 | 455 | 31 |
| DV-140    |            | 495 | 305 | 233 | 245 | 315 | 318 | 72 | 138 | 108 | 159 | 263 | 243 | 207 | 510 | 35 |

| FRAME NO. | GEAR RATIO | Z  | HS | LS | L1 | L2 | INPUT |   |    |    | OUTPUT |    |    |      |
|-----------|------------|----|----|----|----|----|-------|---|----|----|--------|----|----|------|
|           |            |    |    |    |    |    | U     | T | Y1 | V  | S      | W  | Y2 | X    |
| DV-60     | 1/200      | 11 | 35 | 45 | 30 | 40 | 16    | 5 | 5  | 13 | 28     | 7  | 7  | 24   |
| DV-77     | 1/300      | 13 | 40 | —  | 35 | 50 | 18    | 5 | 5  | 15 | 30     | 7  | 7  | 26   |
| DV-88     |            | 14 | 45 | —  | 40 | 55 | 23    | 7 | 7  | 19 | 35     | 10 | 8  | 30.5 |
| DV-96     | 1/400      | 14 | 45 | 60 | 40 | 55 | 23    | 7 | 7  | 19 | 38     | 10 | 8  | 33.5 |
| DV-120    | 1/500      | 18 | 50 | 70 | 45 | 65 | 25    | 7 | 7  | 21 | 43     | 12 | 8  | 38.5 |
| DV-125    | 1/600      | 19 | 50 | 80 | 45 | 75 | 25    | 7 | 7  | 21 | 50     | 12 | 8  | 45.5 |
| DV-140    |            | 19 | 50 | 90 | 45 | 80 | 25    | 7 | 7  | 21 | 60     | 15 | 10 | 55   |

