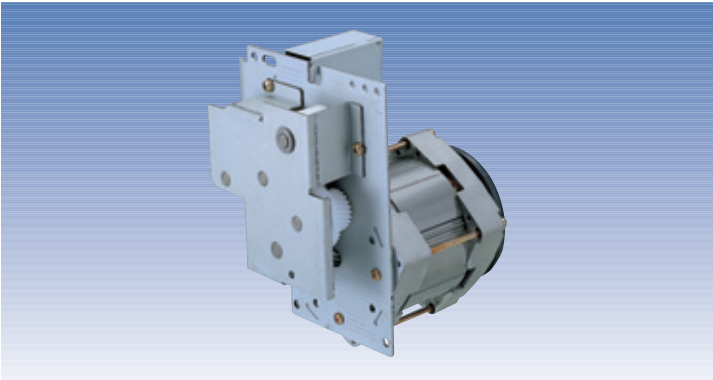


CONDENSER RUN REACTION GEARED MOTOR

● OPEN HOUSING TYPE

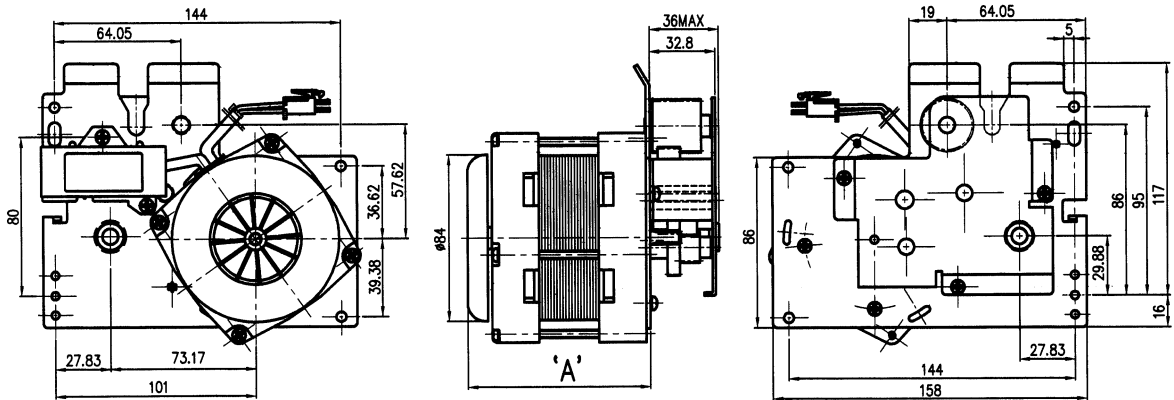


IRG-83 Series



SPG Co., Ltd.

▼ DIMENSIONS



▼ Performance Data

| MODEL | Poles P | Voltage V | Frequency Hz | Output W | Rated | | | Starting Torque Kg-cm | Duty | SIZE 'A' |
|------------|------------|--------------|-----------------|-------------|--------------|-----------------|--------------|-----------------------------|-------|----------|
| | | | | | Speed rpm | Torque Kg-cm | Current A | | | |
| IRG-83435K | 4 | 220 | 60 | 15 | 76.39 | 20.0 | 0.60 | 14.0 | cont. | 92 |
| IRG-83435L | 4 | 115 | 60 | 15 | 76.40 | 20.0 | 0.85 | 15.5 | cont. | 92 |
| IRG-83435M | 4 | 220 | 50 | 15 | 76.39 | 20.0 | 0.58 | 15.5 | cont. | 92 |
| IRG-83445A | 4 | 220 | 60 | 23 | 114.7 | 20.0 | 0.50 | 14.0 | cont. | 102 |
| IRG-83445B | 4 | 220 | 60 | 27 | 133.8 | 20.0 | 0.45 | 14.0 | cont. | 102 |
| IRG-83445C | 4 | 220 | 50 | 23 | 114.7 | 20.0 | 0.50 | 14.0 | cont. | 102 |
| IRG-83445D | 4 | 115 | 60 | 23 | 114.7 | 20.0 | 0.75 | 14.0 | cont. | 102 |
| IRG-83445E | 4 | 240 | 50 | 23 | 114.7 | 20.0 | 0.40 | 14.0 | cont. | 102 |
| IRG-83445F | 4 | 220 | 50 | 27 | 133.8 | 20.0 | 0.50 | 14.0 | cont. | 102 |
| IRG-83445G | 4 | 220 | 60 | 28 | 137.9 | 20.0 | 0.34 | 14.0 | cont. | 102 |

CONDENSER RUN REACTION GEARED MOTOR

● OPEN HOUSING TYPE

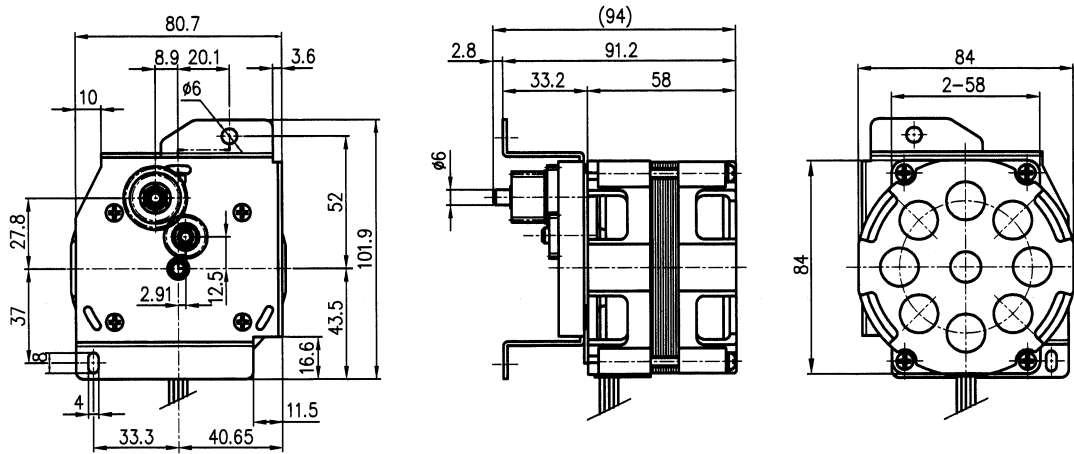


IRG-83 Series



SPG Co., Ltd.

▼ DIMENSIONS



▼ Performance Data

| MODEL | Poles P | Voltage V | Frequency Hz | Output W | Rated | | | Starting Torque Kg-cm | Duty |
|------------|------------|--------------|-----------------|-------------|--------------|-----------------|--------------|--------------------------|-------|
| | | | | | Speed rpm | Torque Kg-cm | Current A | | |
| IRG-83415A | 4 | 220 | 60 | 5.6 | 321.4 | 1.7 | 0.13 | 1.7 | cont. |
| IRG-83415B | 4 | 220 | 60 | 5.0 | 286.6 | 1.7 | 0.12 | 1.7 | cont. |
| IRG-83415C | 4 | 220 | 60 | 3.3 | 191.2 | 1.7 | 0.12 | 1.7 | cont. |
| IRG-83415D | 4 | 220 | 60 | 5.8 | 331.6 | 1.7 | 0.11 | 1.7 | cont. |
| IRG-83415E | 4 | 220 | 50 | 5.6 | 321.4 | 1.7 | 0.20 | 1.7 | cont. |