

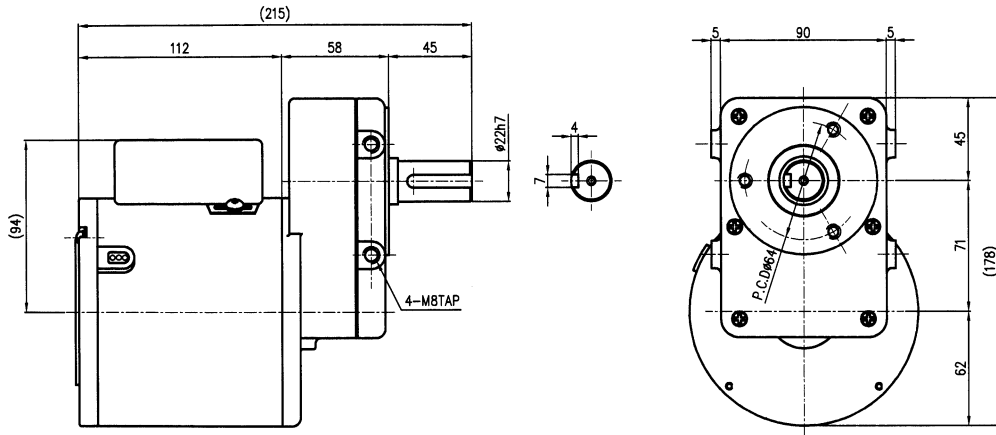
CONDENSER RUN INDUCTION GEARED MOTOR



ICG-12 Series

SPG Co., Ltd.

▼ DIMENSIONS



▼ Performance Data

MODEL	Poles	Voltage	Frequency	Output	Rated			Starting Torque	Duty
					Speed	Torque	Current		
	P	V	Hz	W	rpm	Kg-cm	A	Kg-cm	
ICG-12440A	4	100	50/60	140/160	40.6/48.6	240-270	3.6	110	cont.