
CONDENSER RUN INDUCTION GEARED MOTOR



CONDENSER RUN INDUCTION GEARED MOTOR

● OPEN HOUSING TYPE (IC-83428 TYPE)

● GEAR HEAD ASSEMBLY TYPE

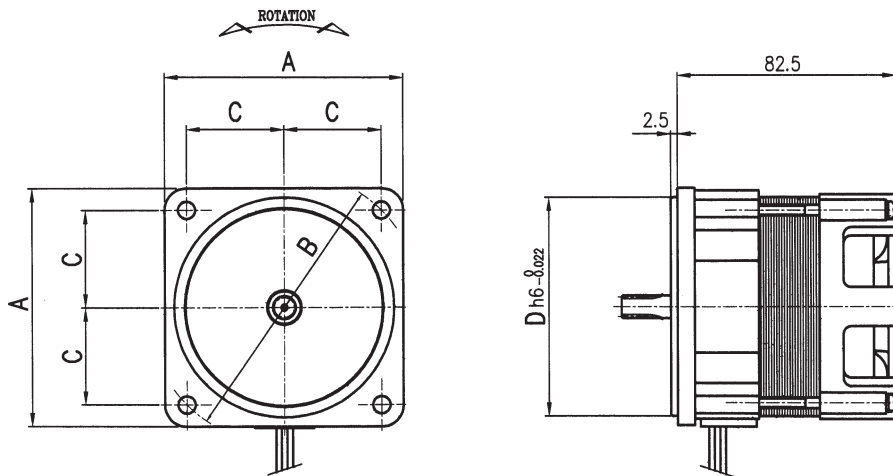


IC-83 Series



SPG Co., Ltd.

▼ DIMENSIONS



MODEL	치수 A	치수 B	치수 C	치수 D	조립 가능한 표준형 GEAR HEAD
IC-83428DWA	90	∅ 104	36.77	∅ 83	S9□B3□□ ~ S9□B200□□
IC-83428DWB	90	∅ 104	36.77	∅ 83	S9□B3□□ ~ S9□B200□□
IC-83428LGA	90	∅ 104	36.77	∅ 83	S9□B3□□ ~ S9□B200□□
IC-83428SSRA	80	∅ 94	32.84	∅ 73	S8□A3□ ~ S8□A200□

▼ Performance Data

MODEL	Poles	Voltage	Frequency	Output	Rated			Starting Torque	Duty
					Speed	Torque	Current		
					P	V	Hz	W	
IC-83428DWA	4	220	60	25	1600	1.8	0.29	1.5	cont.
IC-83428DWB	4	100	50/60	25	1250/1550	2.1/1.8	0.7/0.57	1.1/1.1	cont.
IC-83428LGA	4	220	60	25	1600	2.2	0.32	2.4	30MIN.
IC-83428SSRA	4	220	60	25	1600	1.7	0.33	2.2	30MIN.

CONDENSER RUN INDUCTION GEARED MOTOR

● OPEN HOUSING TYPE (IC-83445 TYPE)

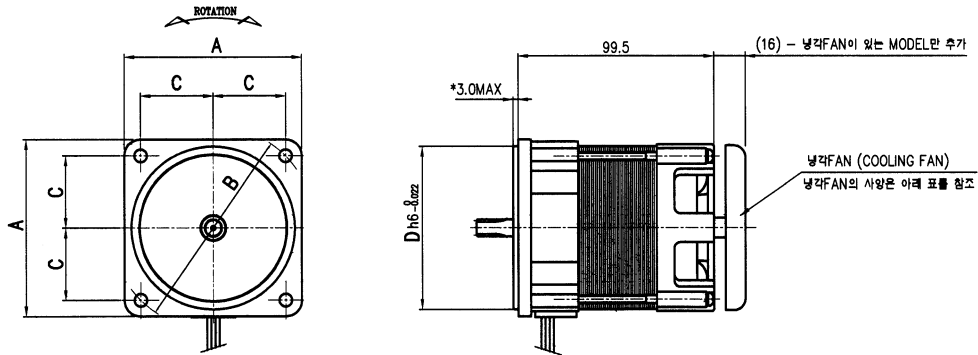
● GEAR HEAD ASSEMBLY TYPE



IC-83 Series

SPG Co., Ltd.

▼ DIMENSIONS



MODEL	치수 A	치수 B	치수 C	치수 D	냉각 FAN	NOTE	조립가능한 표준형 GEAR HEAD
IC-83445DSA	80	∅ 94	32.84	∅ 73	N/A		S8□A3□~S8□A200□
IC-83445DSB	80	∅ 94	32.84	∅ 73	N/A	간이BRAKE부착	S8□A3□~S8□A200□
IC-83445DSD	90	∅ 104	36.77	∅ 83	○	간이BRAKE부착	S9□B3□□~S9□B200□□
IC-83445DSE	80	∅ 94	32.84	∅ 73	○		S8□A3□~S8□A200□
IC-83445KOB	80	∅ 94	32.84	∅ 73	N/A		S8□A3□~S8□A200□
IC-83445KOB-1	80	∅ 94	32.84	∅ 73	N/A	SPEED CONTROL	S8□A3□~S8□A200□
IC-83445KOB-2	80	∅ 94	32.84	∅ 73	N/A	SPEED CONTROL	S8□A3□~S8□A200□
IC-83445KOB-3	80	∅ 94	32.84	∅ 73	N/A	OIL SEAL 부착	S8□A3□~S8□A200□
IC-83445KYA	80	∅ 94	32.84	∅ 73	N/A	SPEED CONTROL	S8□A3□~S8□A200□
IC-83445KYB	80	∅ 94	32.84	∅ 73	N/A	SPEED CONTROL	S8□A3□~S8□A200□
IC-83445WIA	90	∅ 104	36.77	∅ 83	N/A		S9□B3□□~S9□B200□□

▼ Performance Data

MODEL	Poles	Voltage	Frequency	Output	Rated			Starting Torque	Duty
					Speed	Torque	Current		
	P	V	Hz	W	rpm	Kg-cm	A	Kg-cm	
IC-83445DSA	4	220	60	40	1550	3.55	0.45	2.46	cont.
IC-83445DSB	4	220	60	40	1550	4.41	0.54	4.56	30MIN.
IC-83445DSD	4	220	60	60	1550	6.22	0.58	6.30	30MIN.
IC-83445DSE	4	220	60	40	1550	3.55	0.45	2.46	cont.
IC-83445KOB	4	220	60	40	1550	3.55	0.45	2.46	cont.
IC-83445KOB-1	4	220	60	40	1550	3.08	0.43	2.34	cont.
IC-83445KOB-2	4	115	60	40	1550	3.54	0.92	2.37	cont.
IC-83445KOB-3	4	220	60	40	1550	3.55	0.45	2.46	cont.
IC-83445KYA	4	110	60	40	1550	3.34	1.00	2.34	cont.
IC-83445KYB	4	220/240	50	40	1550	3.14/3.72	0.36/0.39	1.75/2.07	cont.
IC-83445WIA	4	220	60	40	1550	3.55	0.45	2.46	cont.

CONDENSER RUN INDUCTION MOTOR

● OPEN HOUSING TYPE (IC-83445 TYPE)

● STRAIGHT & CUT TYPE

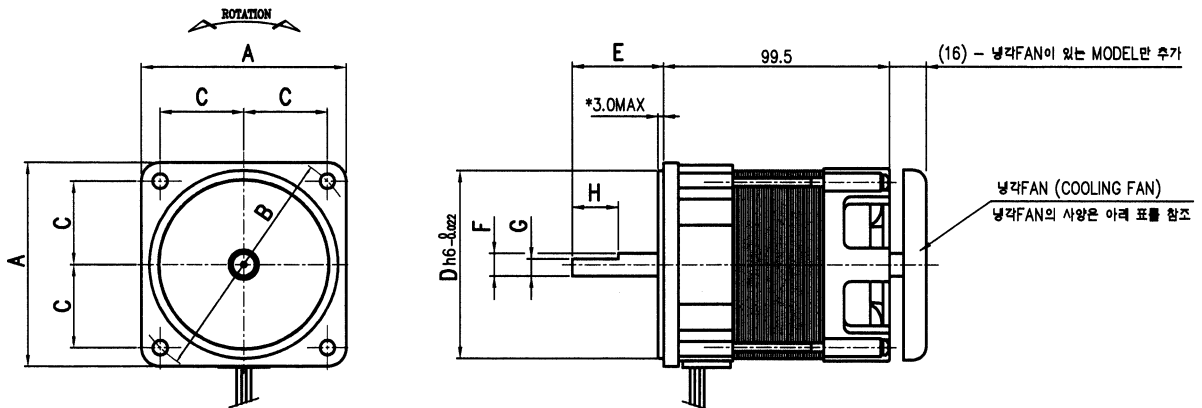


IC-83 Series



SPG Co., Ltd.

▼ DIMENSIONS



MODEL	치수 A	치수 B	치수 C	치수 D	치수 E	치수 F	치수 G	치수 H	냉각 FAN	NOTE
IC-83445DSC	80	∅ 94	32.84	∅ 73	120	∅ 10	-	-	○	*3.0부 없음
IC-83445JIA	80	∅ 94	32.84	∅ 73	42	∅ 10	9	30	N/A	
IC-83445KOC	80	∅ 94	32.84	∅ 73	30	∅ 10	9	25	○	*3.0부 없음
IC-83445KOE	90	∅ 104	36.77	∅ 83	37	∅ 12	11	30	○	*3.0부 없음

▼ Performance Data

MODEL	Poles	Voltage	Frequency	Output	Rated			Starting Torque	Duty
					Speed	Torque	Current		
					P	V	Hz	W	
IC-83445DSC	4	220	50/60	60	1300/1550	7.06/7.08	0.81	5.25/5.3	cont.
IC-83445JIA	4	220	60	40	1550	3.55	0.45	2.46	cont.
IC-83445KOC	4	220	60	40	1550	4.78	0.57	3.15	cont.
IC-83445KOE	4	220	60	60	1550	6.15	1.82	3.87	cont.

CONDENSER RUN INDUCTION GEARED MOTOR

● OPEN HOUSING TYPE (IC-83460 TYPE)

● GEAR HEAD ASSEMBLY TYPE

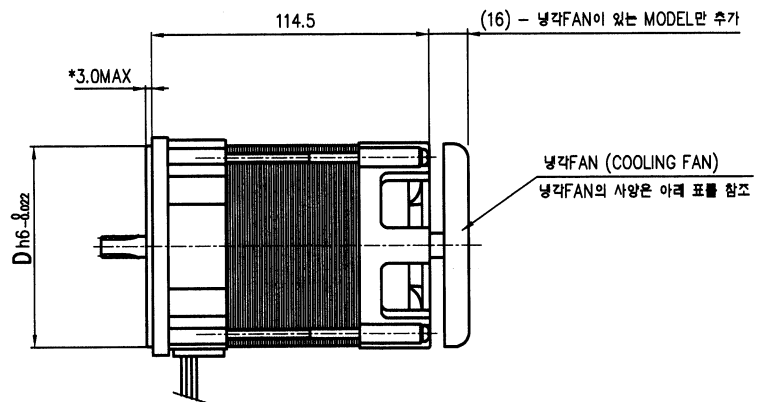
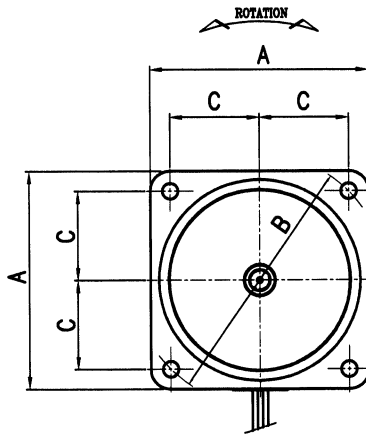


IC-83 Series



SPG Co., Ltd.

▼ DIMENSIONS



MODEL	치수 A	치수 B	치수 C	치수 D	냉각 FAN	NOTE	조립 가능한 표준형 GEAR HEAD
IC-83460IRB	80	∅ 94	32.84	∅ 73	○		S8□A3□~S8□A200□
IC-83460SSA	90	∅ 104	36.77	∅ 83	○	강력형 HEAD용	S9□C3□□~S9□C200□□
IC-83460SSB	90	∅ 104	36.77	∅ 83	○		S9□B3□□~S9□B200□□

▼ Performance Data

MODEL	Poles	Voltage	Frequency	Output	Rated			Starting Torque	Duty
					Speed	Torque	Current		
	P	V	Hz	W	rpm	Kg-cm	A	Kg-cm	
IC-83460IRB	4	220	60	90	1500	8.62	1.10	5.00	cont.
IC-83460SSA	4	220	60	90	1650	6.86	0.90	5.55	cont.
IC-83460SSB	4	220	60	90	1650	6.86	0.90	5.55	cont.

CONDENSER RUN INDUCTION MOTOR

● OPEN HOUSING TYPE (IC-83460 TYPE)

● STRAIGHT & CUT TYPE

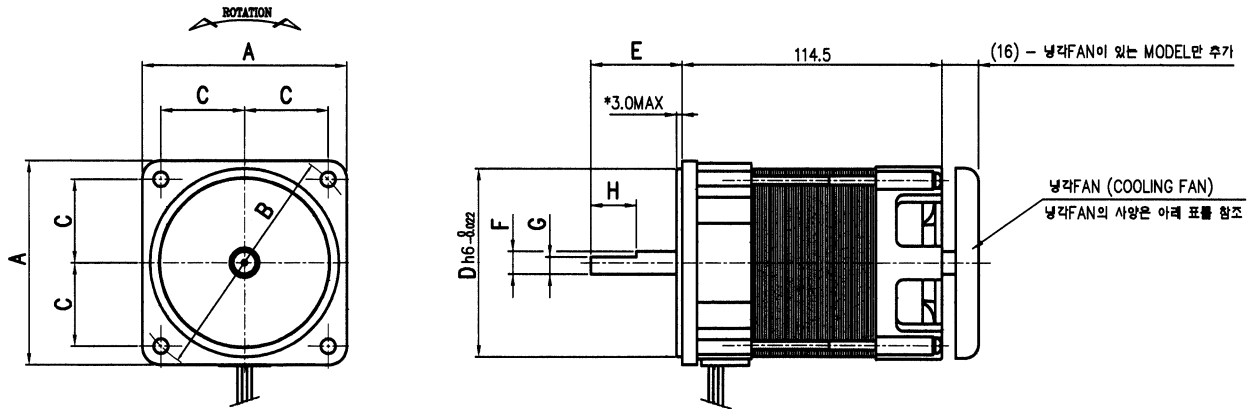


IC-83 Series



SPG Co., Ltd.

▼ DIMENSIONS



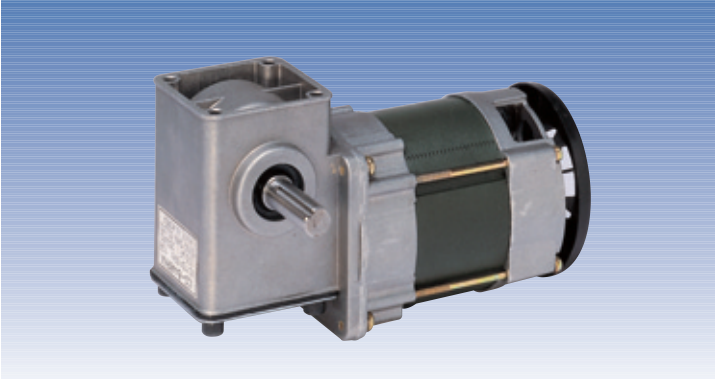
MODEL	치수 A	치수 B	치수 C	치수 D	치수 E	치수 F	치수 G	치수 H	냉각 FAN	NOTE
IC-83460HEA	80	∅ 94	32.84	∅ 75	40	∅ 10	9	30	N/A	
IC-83460JIB	90	∅ 104	36.77	∅ 83	42	∅ 12	11	30	○	
IC-83460KOC	80	∅ 94	32.84	∅ 73	21	∅ 10	9	20	○	* 3.0부 없음

▼ Performance Data

MODEL	Poles	Voltage	Frequency	Output	Rated			Starting Torque	Duty
					Speed	Torque	Current		
	P	V	Hz	W	rpm	Kg-cm	A	Kg-cm	
IC-83460HEA	4	220	60	90	1500	8.60	1.30	3.72	30MIN.
IC-83460JIB	4	220	60	90	1550	8.08	0.95	6.25	cont.
IC-83460KOC	4	220	60	90	1650	6.86	0.90	5.55	cont.

CONDENSER RUN INDUCTION GEARED MOTOR

● OPEN HOUSING TYPE

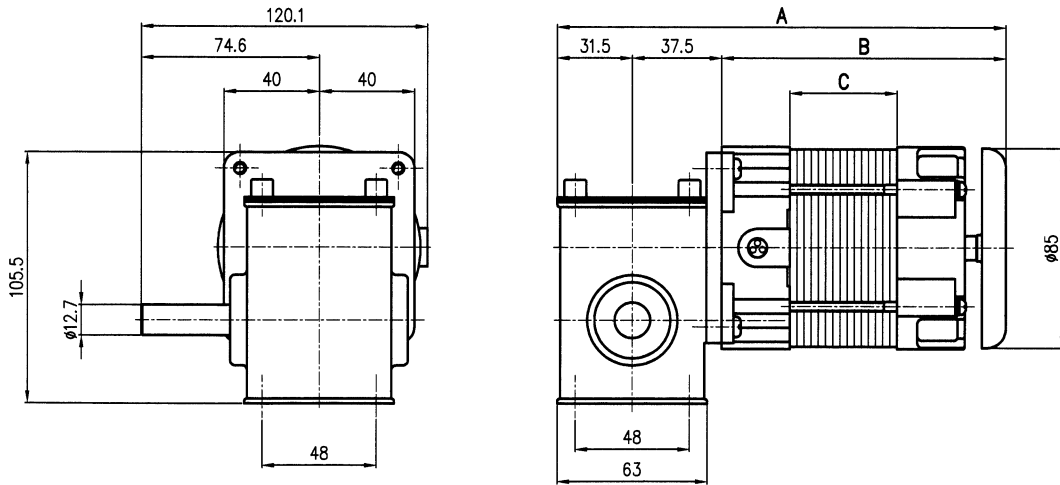


ICG-83 Series



SPG Co., Ltd.

▼ DIMENSIONS



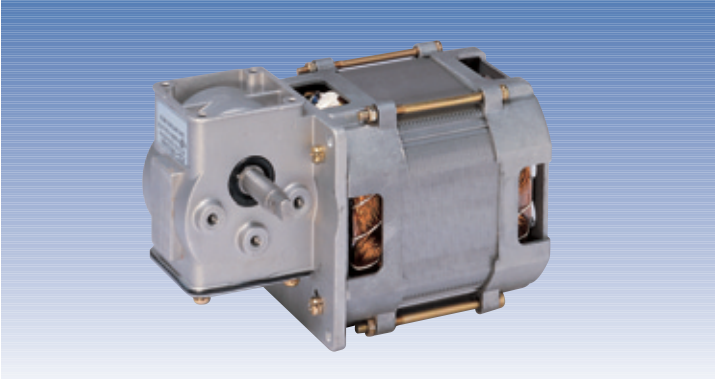
MODEL	치수 A	치수 B	치수 C
ICG-83428	166.7	97.7	28
ICG-83434	172.7	103.7	34
ICG-83448	186.7	117.7	48
ICG-83460	198.7	129.7	60

▼ Performance Data

MODEL	Poles	Voltage	Frequency	Output	Rated			Starting Torque	Duty
					Speed	Torque	Current		
					P	V	Hz	W	
ICG-83428	4	220	60	20	62.5	16.0	0.50	11.0	cont.
ICG-83434	4	220	60	30	62.5	24.0	0.60	16.0	cont.
ICG-83448	4	115	60	40	62.5	25.0	0.85	16.0	cont.
ICG-83460	4	220	60	80	62.5	50.0	1.20	30.0	30MIN.

CONDENSER RUN INDUCTION GEARED MOTOR

● OPEN HOUSING TYPE

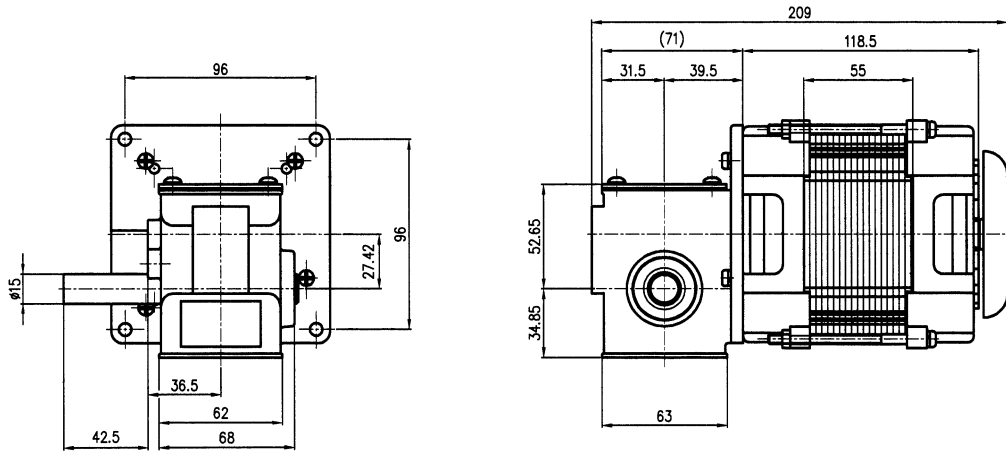


ICG-1 Series



SPG Co., Ltd.

▼ DIMENSIONS



▼ Performance Data

MODEL	Poles P	Voltage V	Frequency Hz	Output W	Rated			Starting Torque Kg-cm	Duty
					Speed rpm	Torque Kg-cm	Current A		
ICG-1455A	4	110/220	60	220/242	80.0	164/157	4.0/2.1	117/118	30MIN.
ICG-1455B	4	220	60	212	80.0	151	1.80	95.7	30MIN.
ICG-1455C	4	220	60	212	80.0	151	1.50	95.7	30MIN.
ICG-1455D	4	110	60	220	80.0	164	4.0	117	30MIN.

CONDENSER RUN INDUCTION GEARED MOTOR

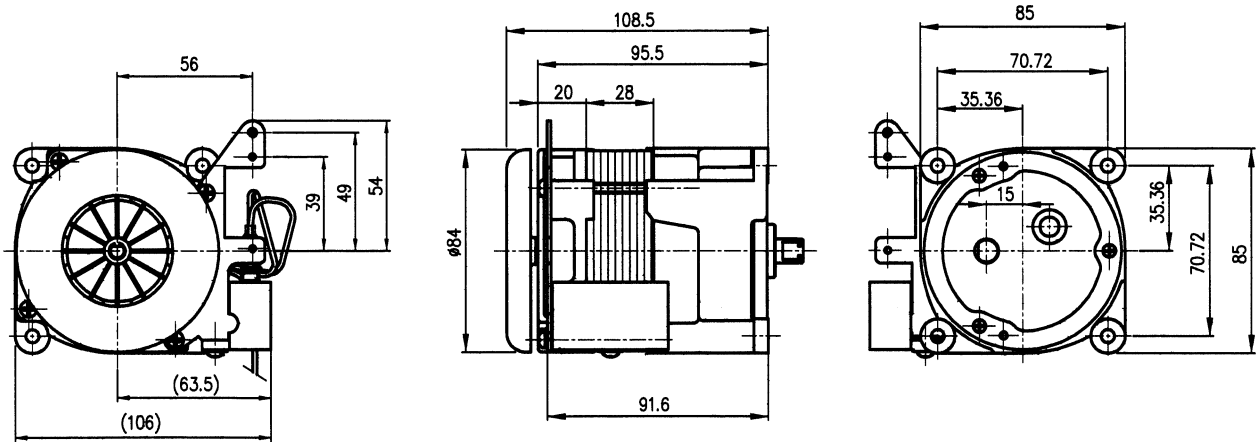
● OPEN HOUSING TYPE



ICG-83 Series

SPG Co., Ltd.

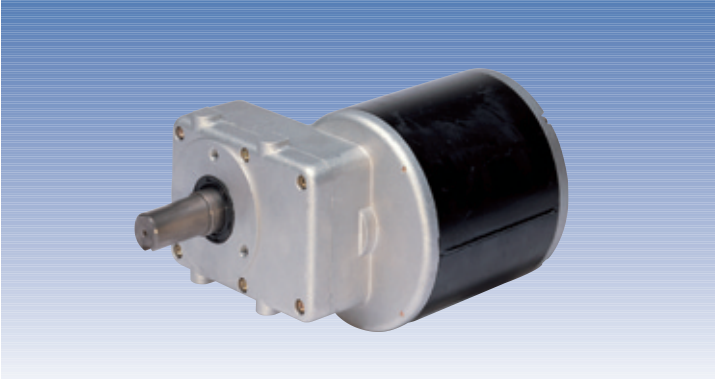
▼ DIMENSIONS



▼ Performance Data

MODEL	Poles P	Voltage V	Frequency Hz	Output W	Rated			Starting Torque Kg-cm	Duty
					Speed rpm	Torque Kg-cm	Current A		
ICG-83428A	4	220	60	16.0	220	7.0	0.40	13.0	cont.
ICG-83428B	4	220	50	16.0	220	7.0	0.40	13.0	cont.

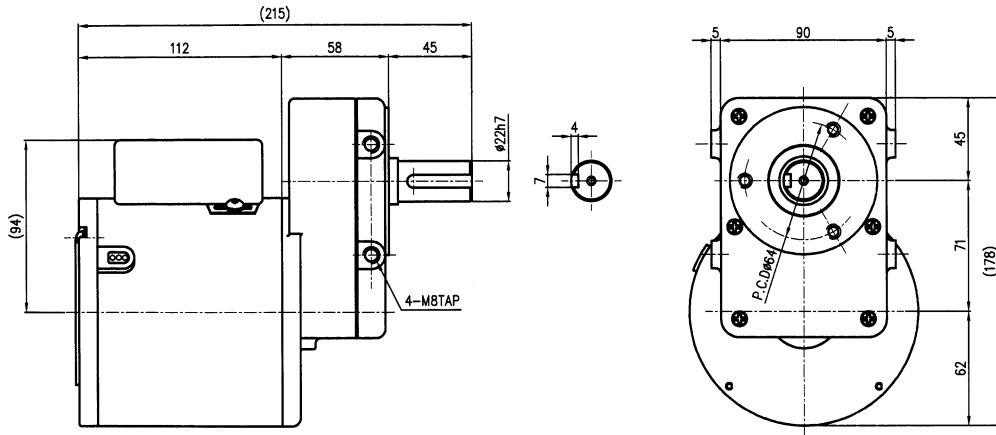
CONDENSER RUN INDUCTION GEARED MOTOR



ICG-12 Series

SPG Co., Ltd.

▼ DIMENSIONS



▼ Performance Data

MODEL	Poles P	Voltage V	Frequency Hz	Output W	Rated			Starting Torque Kg-cm	Duty
					Speed rpm	Torque Kg-cm	Current A		
ICG-12440A	4	100	50/60	140/160	40.6/48.6	240-270	3.6	110	cont.