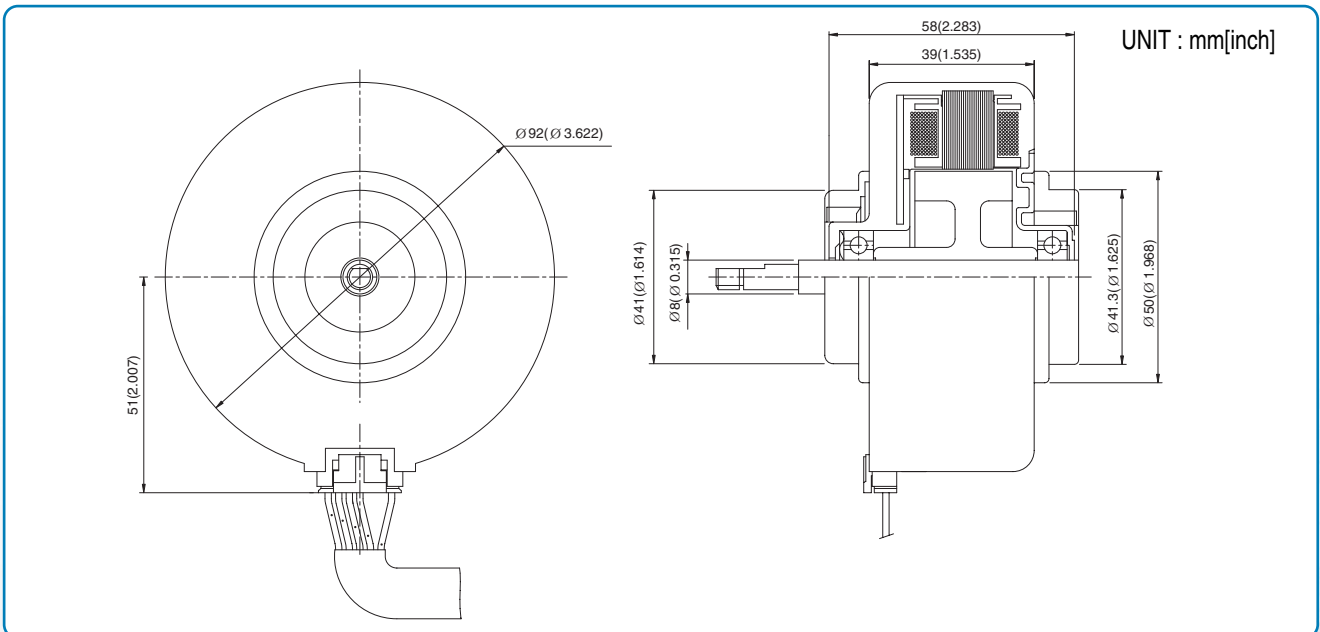




## DIMENSION



## CHARACTERISTIC

Type	Voltage (V)	Frequency (Hz)	Load				Ins. Class	P.C.B Of Drive	X	
			Torque		Speed (Rpm)	Input (Wi)				Output (Wo)
			(kg.cm)	(N.m)						
DL-89812	DC 160	-	3.7	0.36	588	40	23	E	Internal	-
DL-89812	DC 280	-	3.6	0.35	700	40	26	E	Internal	-
DL-89812	DC 310	-	4	0.39	980	60	40	E	Internal	-