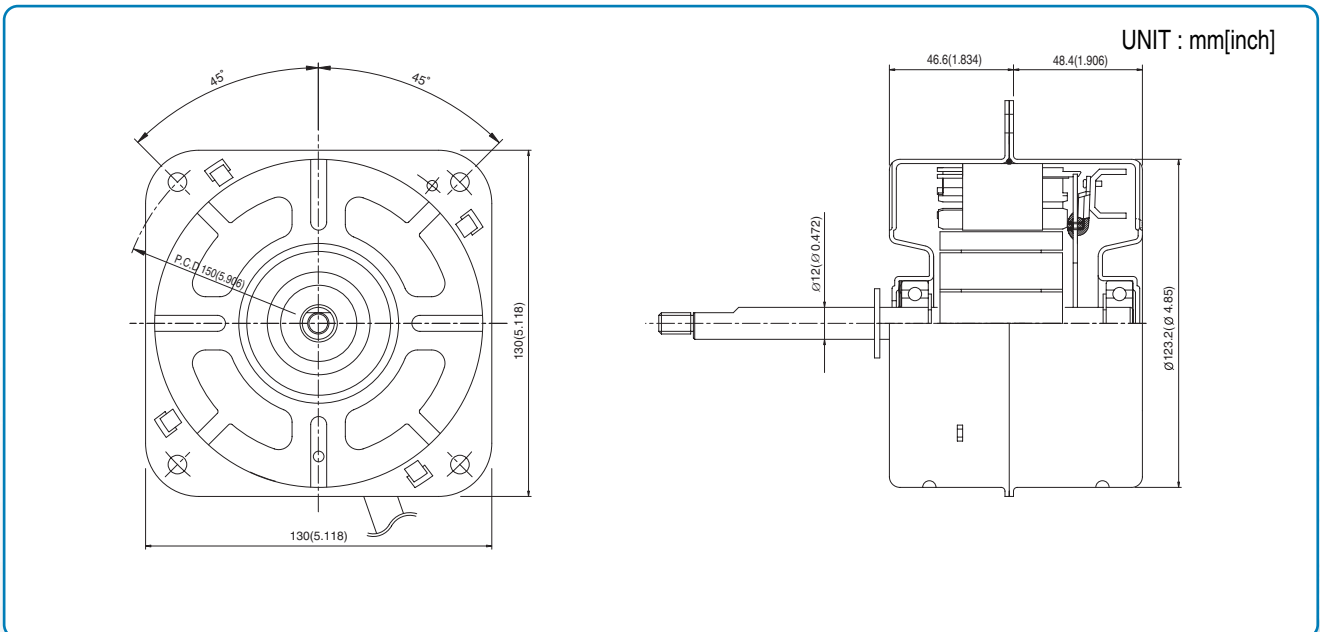




■ DIMENSION



■ CHARACTERISTIC

Type	Voltage (V)	Frequency (Hz)	Load				Ins. Class	P.C.B Of Drive	X	
			Torque		Speed	Input				Output
			(kg.cm)	(N.m)	(Rpm)	(Wi)				(Wo)
DL-12830	DC 280	-	7	0.69	650	60	47	E	Internal	-