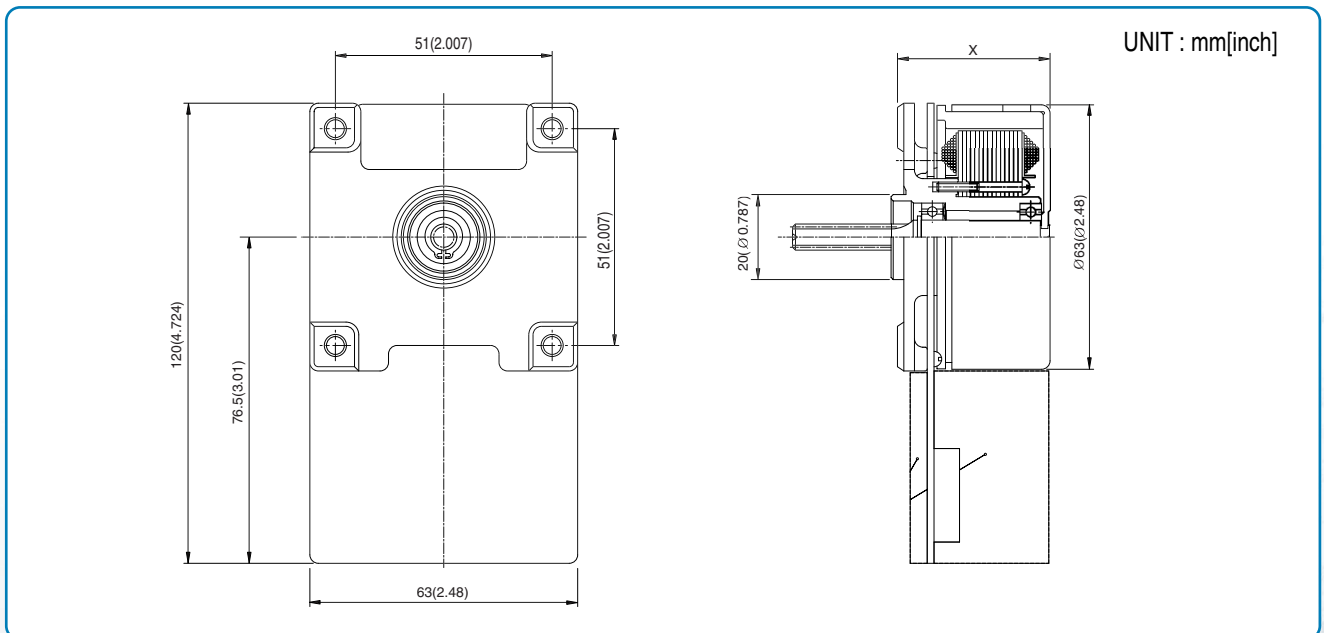


DIMENSION



CHARACTERISTIC

Type	Voltage (V)	Frequency (Hz)	Load				Ins. Class	P.C.B Of Drive	X	
			Torque		Speed (Rpm)	Input (Wi)				Output (Wo)
			(kg.cm)	(N.m)						
DLG-50615	DC 24	-	1.122	0.11	1736	28	20	A	Internal	37(1.456)
DLG-50615	DC 24	-	1.43	0.14	1854	36	27.2	A	Internal	37(1.456)
DLG-50615	DC 24	-	1.5	0.147	1500	40	24	A	Internal	37(1.456)
DLG-50620	DC 24	-	2.0	0.196	1350	54	28	A	Internal	42(1.653)
DLG-50620	DC 24	-	1.4	0.137	2115	46	30	A	Internal	42(1.653)