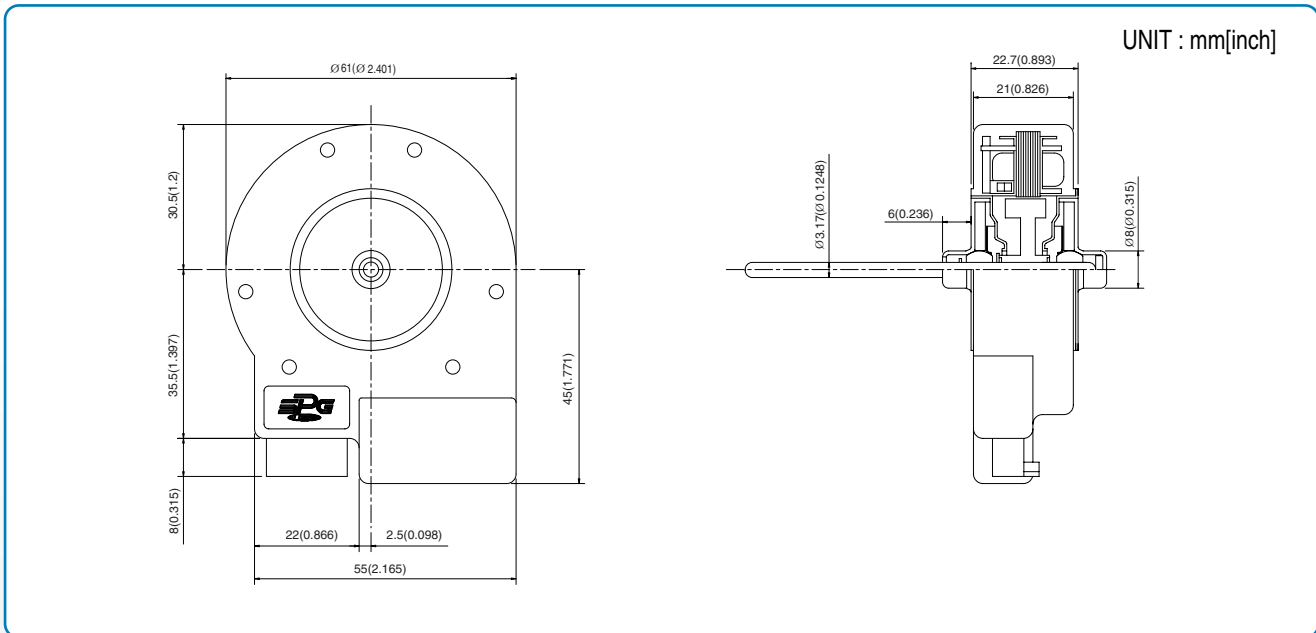




DIMENSION



CHARACTERISTIC

Type	Voltage (V)	Frequency (Hz)	Load				Ins. Class	P.C.B Of Drive	X	
			Torque		Speed	Input				Output
			(kg.cm)	(N.m)	(Rpm)	(Wi)				(Wo)
DL-5905	DC 12	-	0.058	0.0057	2770	3	1.65	A	Internal	-
DL-5905	DC 12	-	0.075	0.0074	1600	2.82	1.23	A	Internal	-