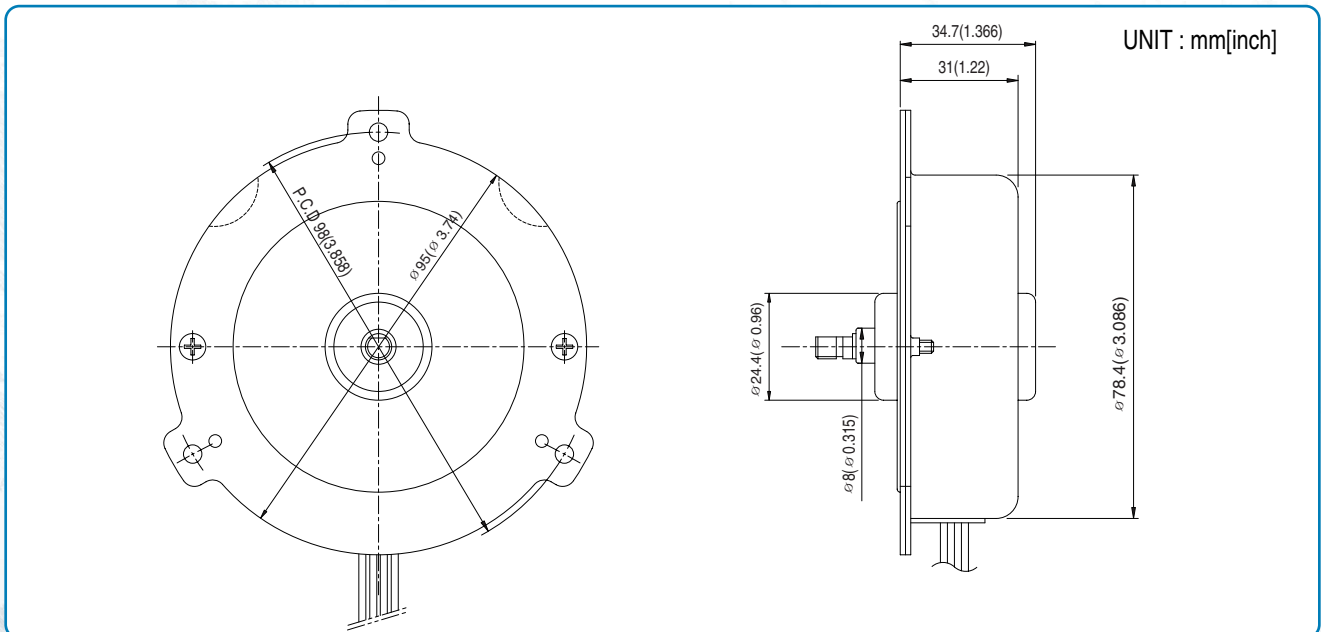




## ■ DIMENSION



## ■ CHARACTERISTIC

Type	Voltage (V)	Frequency (Hz)	Load				Ins. Class	P.C.B Of Drive	X	
			Torque		Speed (Rpm)	Input (Wi)				Output (Wo)
			(kg.cm)	(N.m)						
DL-7806	DC 43	-	0.52	0.051	5200	52	27.7	E	Internal	-