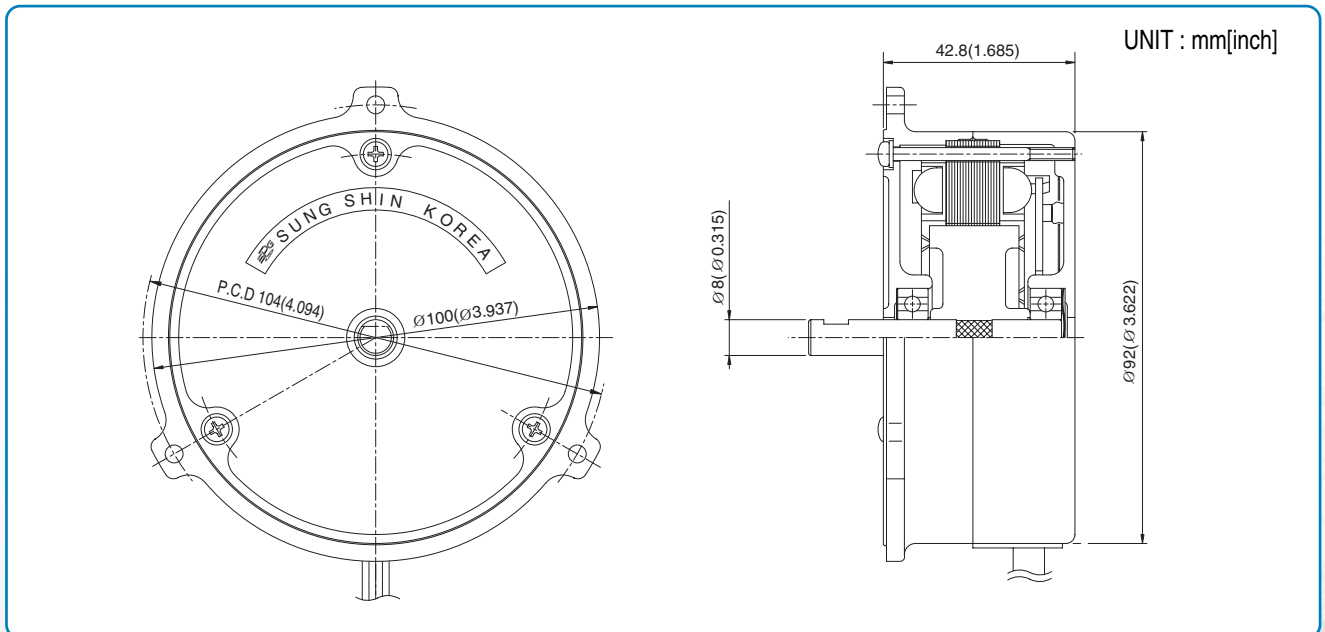




## ■ DIMENSION



## ■ CHARACTERISTIC

Type	Voltage (V)	Frequency (Hz)	Load				Ins. Class	P.C.B Of Drive	X	
			Torque		Speed (Rpm)	Input (Wi)				Output (Wo)
			(kg.cm)	(N.m)						
DL-88412	DC 28	-	0.4	0.039	2840	18	11.5	E	Internal	-
DL-88412	DC 43	-	0.9	0.088	4270	60	40	E	Internal	-