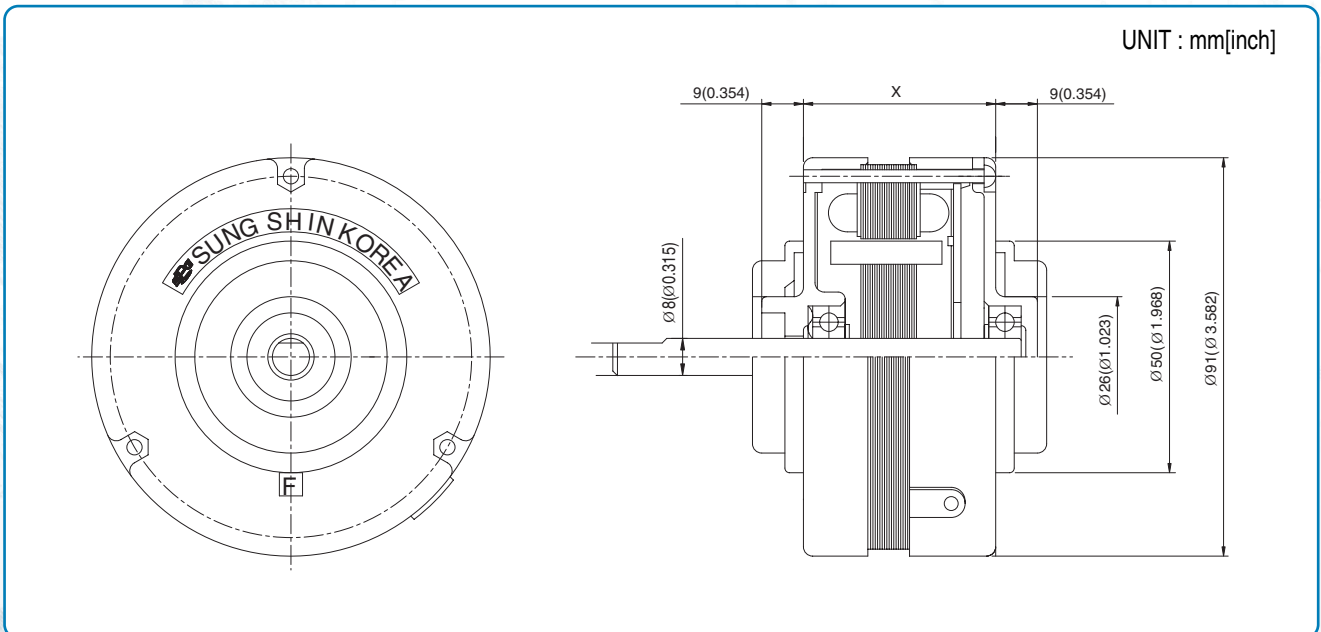




DIMENSION



CHARACTERISTIC

Type	Voltage (V)	Frequency (Hz)	Load				Ins. Class	P.C.B Of Drive	X	
			Torque		Speed	Input				Output
			(kg.cm)	(N.m)	(Rpm)	(Wi)	(Wo)			
DL-88412	DC 24	-	0.55	0.054	1200	10	6.8	E	Internal	41.5(1.633)
DL-88412	DC 36	-	1.1	0.108	1250	28	15	E	Internal	41.5(1.633)
DL-88430	DC 36	-	2.84	0.28	1200	54	40	E	Internal	59.5(2.342)
DL-88430	DC 40	-	3.0	0.294	1440	65	45	E	Internal	59.5(2.342)