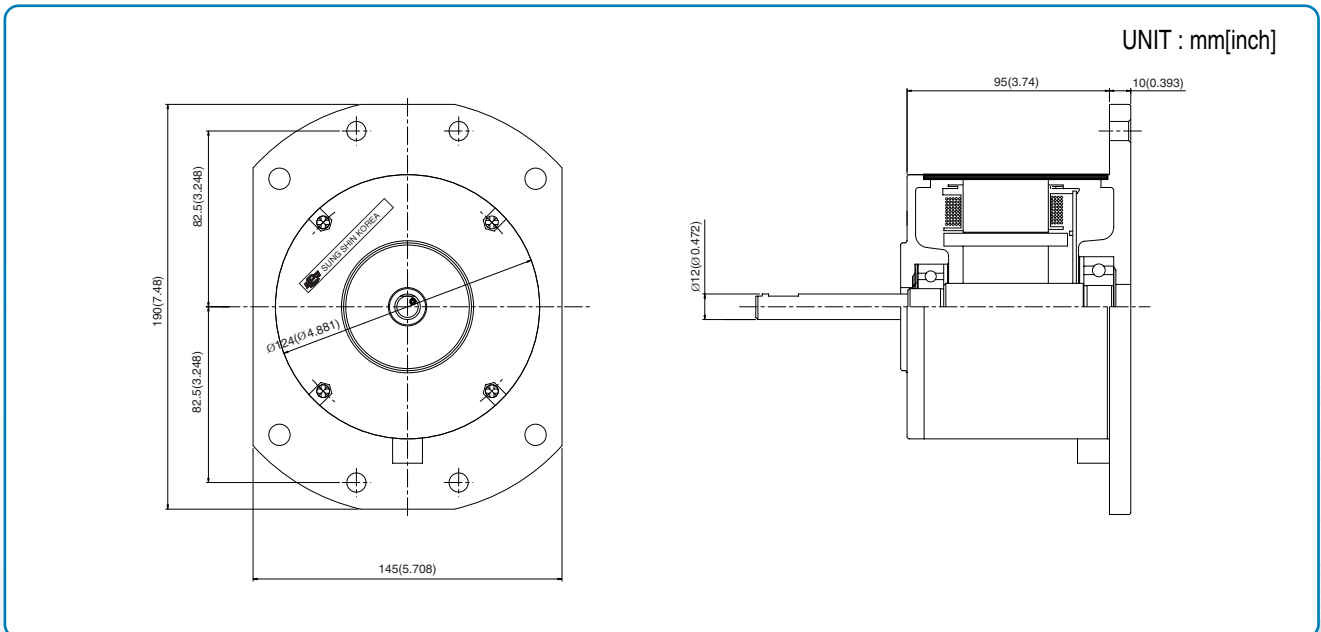




■ DIMENSION



■ CHARACTERISTIC

Type	Voltage (V)	Frequency (Hz)	Load				Ins. Class	P.C.B Of Drive	X	
			Torque		Speed (Rpm)	Input (Wi)				Output (Wo)
			(kg.cm)	(N.m)						
DL-12830	DC 380	-	7	0.686	1020	100	73	E	External	-
DL-12840	DC 380	-	10	0.98	1180	150	121	E	External	-
DL-12840	DC 380	-	19	1.86	1180	280	230	E	External	-