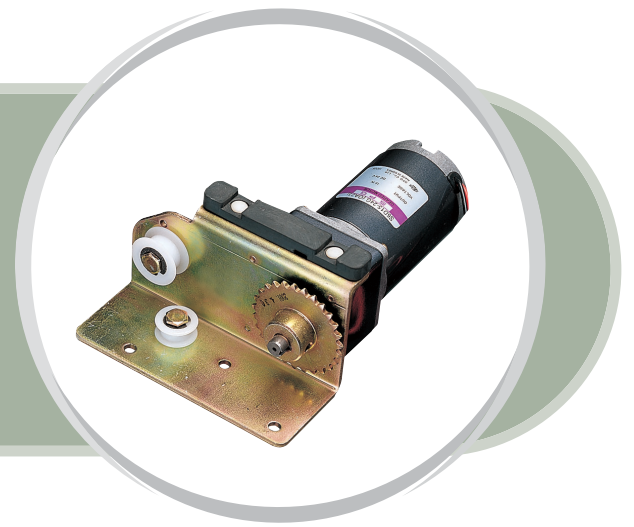
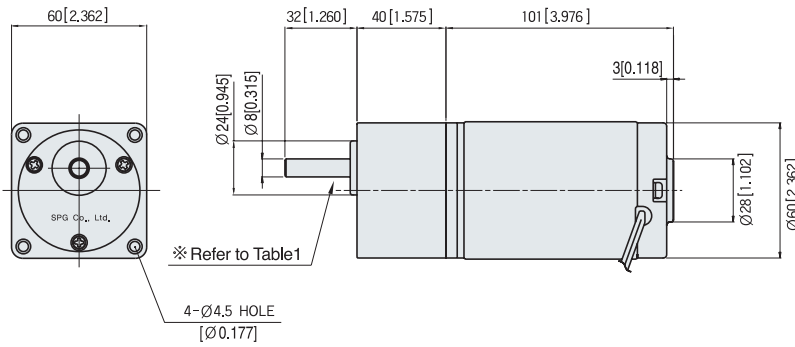


SPECIAL TYPE MEDICAL DC MOTOR

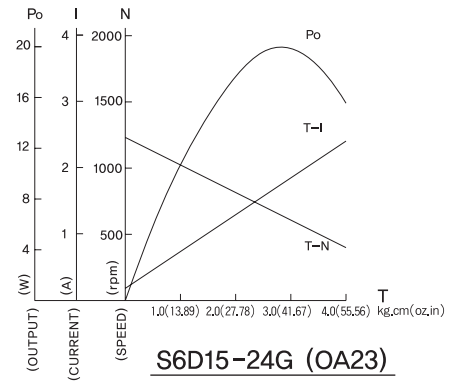


MOTOR DIMENSION

UNIT : mm[inch]



CHARACTERISTIC CURVE



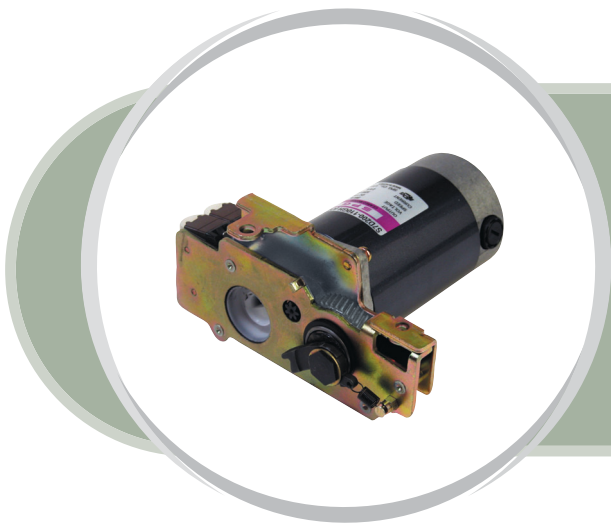
▼ GEAR HEAD 출력축 사양 - (표1)

MODEL	STRAIGHT TYPE	D-CUT TYPE	KEY TYPE
출력축 구분			

MOTOR SPECIFICATION

Type	Voltage	Output	No Load		Rated Load			Run Duty	Weight (Only motor)
			Revolution	Current	Revolution	Torque	Current		
	V	W	RPM	A	RPM	kg · cm(oz · in)	A	Hr	Kg(oz)
S6D15-24G(OA23)	24	15	1270	MAX.0.25	915	1.6(22.22)	1.2	2000	0.9(31.75)

※ Run Duty는 정격전압인가 무부하 기준입니다.

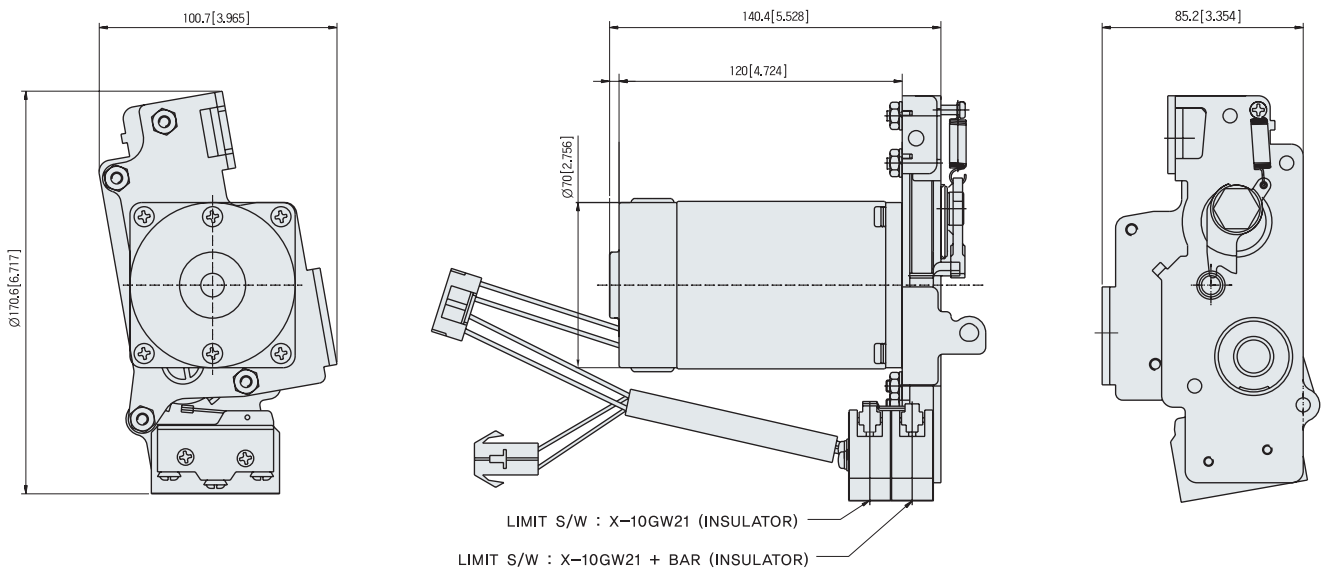


SPECIAL TYPE

HEAVY-ELECTRIC DC MOTOR

MOTOR DIMENSION

UNIT : mm[inch]

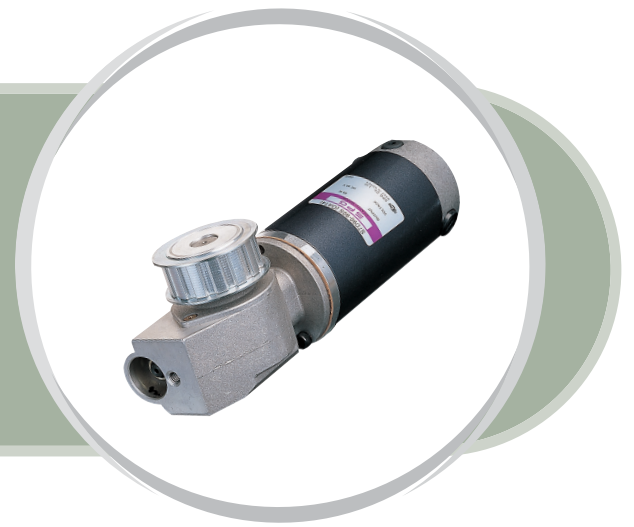


MOTOR SPECIFICATION

Type	Voltage V	Output W	No Load		Rated Lod			Run Duty Hr	Weight (Only motor) Kg(oz)
			Revolution RPM	Current A	Revolution RPM	Torque kg · cm(oz · in)	Current A		
S7D200-110GH(OB51)	110	220	4000	MAX,0,3	3250	6,0(83,33)	2,4	1000	2,4(84,7)
S7D225-125GH(OB52)	125	225	4500	MAX,0,3	3650	6,0(83,33)	2,4	1000	2,4(84,7)
S7D200-220GH(OB53)	220	200	4000	MAX,0,2	3250	6,0(83,33)	1,2	1000	2,4(84,7)
S7D150-24GH(OB54)	24	150	3800	MAX,1,0	2450	6,0(83,33)	11,0	1000	2,4(84,7)
S7D175-48GH(OB55)	48	175	3850	MAX,0,5	2850	6,0(83,33)	5,5	1000	2,4(84,7)

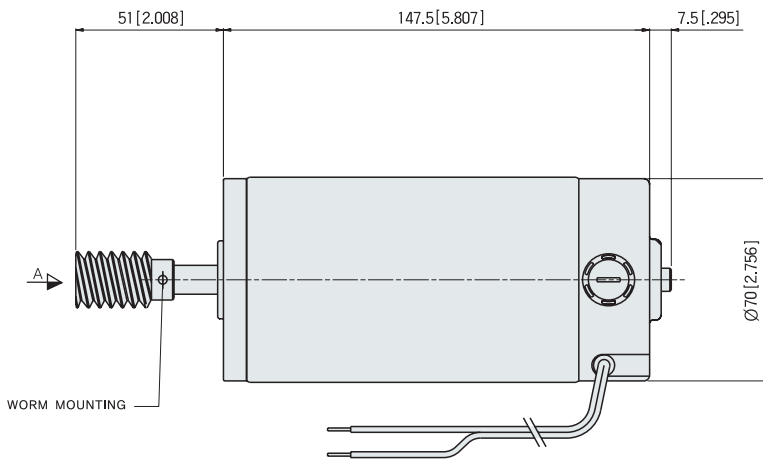
※ Run Duty는 정격전압인가 무부하 기준입니다.

SPECIAL TYPE AUTOMATIC DOOR DC MOTOR

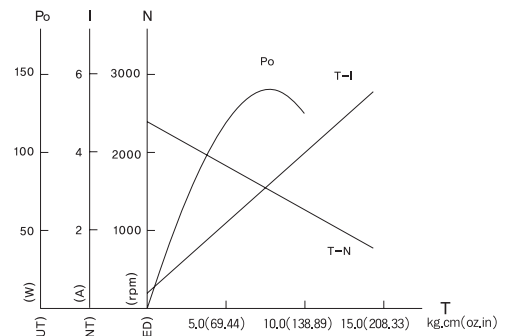


MOTOR DIMENSION

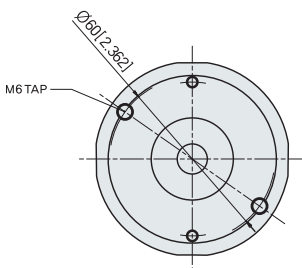
UNIT : mm[inch]



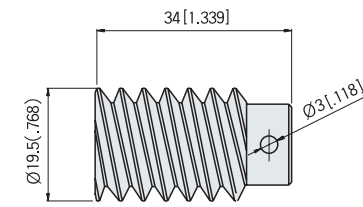
CHARACTERISTIC CURVE



S7D90-90S (OA14)



VIEW A



WORM DIMENSION (SCALE 2:1)

※ Refer to Table 1

SPEC for worm gear (㉠)

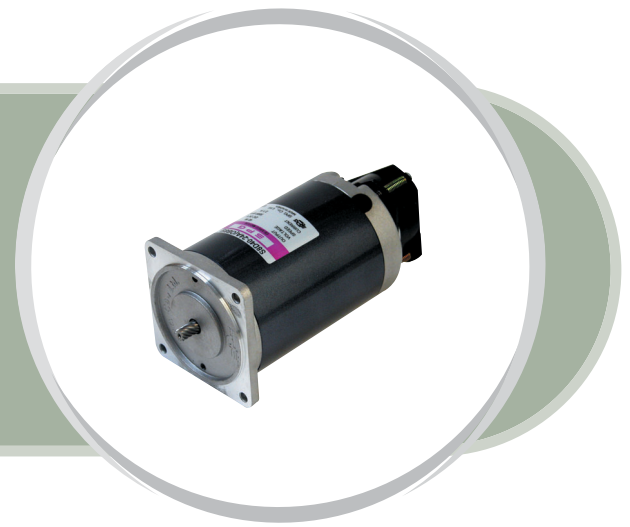
MODULE	1.25
NO. OF STARTS	3(Right)
P.C.D	17(.669)

MOTOR SPECIFICATION

Type	Voltage V	Output W	No Load		Rated Lod			Run Duty Hr	Weight (Only motor) Kg(oz)
			Revolution RPM	Current A	Revolution RPM	Torque kg · cm(oz · in)	Current A		
S7D90-90S(OA14)	90	90	2400	MAX,0.2	2000	4.4(61,11)	1.5	2000	1,9(67,0)

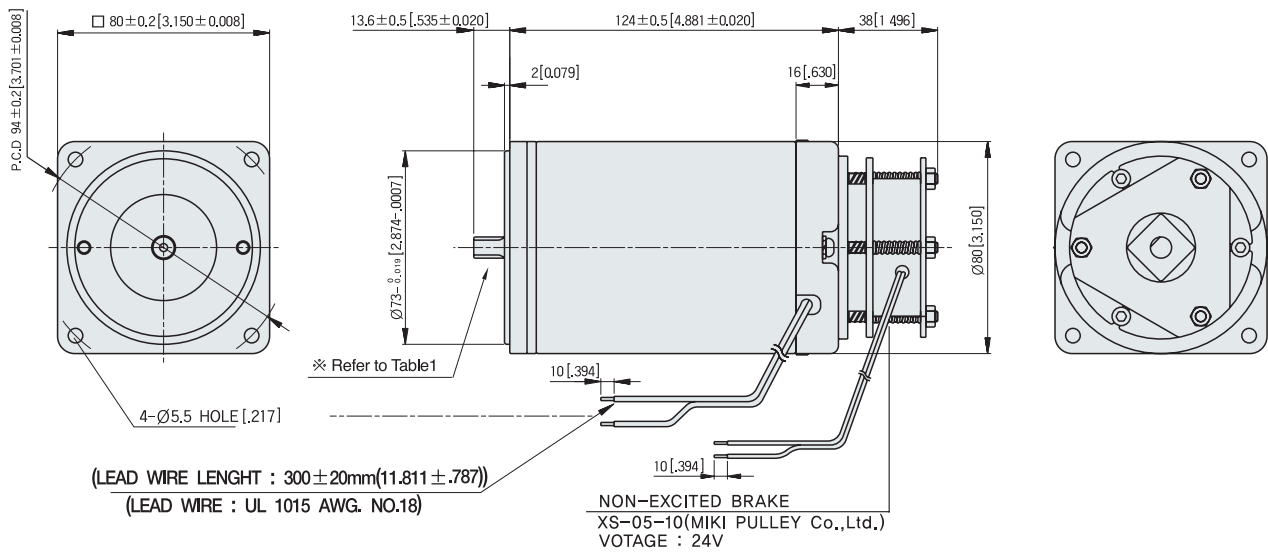
※ Run Duty는 정격전압인가 무부하 기준입니다.

SPECIAL TYPE ELECTRIC-BRAKE ASSEMBLY DC MOTOR



MOTOR DIMENSION

UNIT : mm[inch]



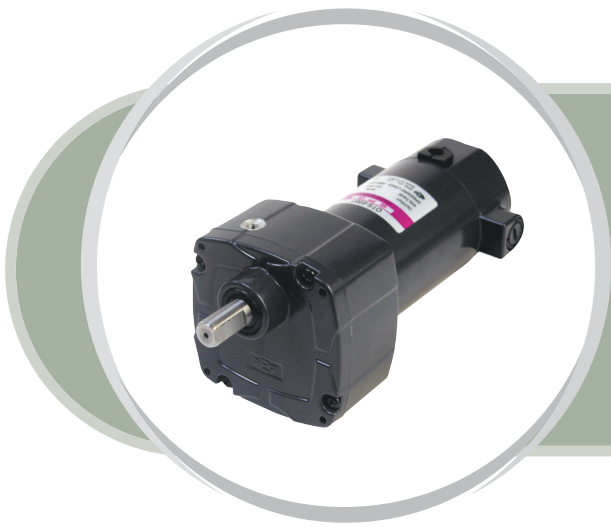
▼ GEAR HEAD 출력축 사양 - (표1)

MODEL	GEAR TYPE	STRAIGHT TYPE	D-CUT TYPE	KEY TYPE
출력축 구분				

MOTOR SPECIFICATION

Type	Voltage V	Output W	No Load		Rated Lod			Run Duty Hr	Weight (Only motor) Kg(oz)
			Revolution RPM	Current A	Revolution RPM	Torque kg · cm(oz · in)	Current A		
S8D40-24A(OB85)	24	40	3100	MAX,0.8	3000	1,3(18,05)	2,1	2000	5,0(176.4)

* Run Duty는 정격전압인가 무부하 기준입니다.

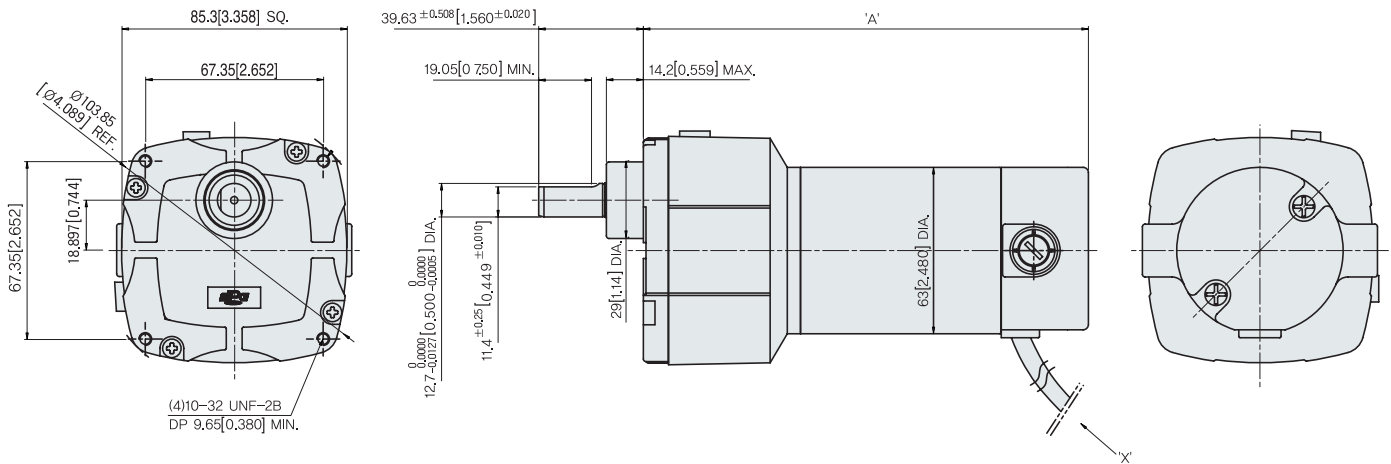


SPECIAL TYPE

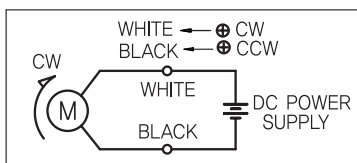
BS2 □ SERIES DC GEARED MOTOR

MOTOR DIMENSION

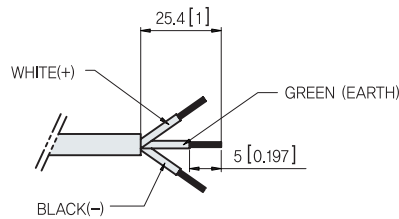
UNIT : mm[inch]



CIRCUIT DIAGRAM



(THE DIRECTION OF MOTOR ROTATION IS AS VIEWED FROM THE OUTPUT SHAFT END OF THE MOTOR)



VIEW "X"

STANDARD FEATURES

- GEAR HOUSING에 VENT HOLE 적용으로 SEALING수명 연장.
- IMOTOR입력축 및 출력 SHAFT에 LIP-TYPE SEAL 적용
- 출력축에 NEEDLE BEARING 적용으로 내구 수명 및 축방향 하중능력 증대.
- 기어용 영구적 윤활유 적용으로 기어수명 연장
- MOTOR SHAFT에 정밀 가공된 HELICAL GEAR 적용으로 고강도 및 저소음 실현.

21C, for World geared motor!



MOTOR SPECIFICATION

Type	Voltage	Output	No Load		Rated Load			Dimension A	Run Duty	Weight
			Speed	Current	Speed	Torque	Current			
	V	W	RPM	A	RPM	kg-cm(lb-in)	A	mm/inch	Hr	kg(lb)
BS23DA□	24	26	2800	0.3 max	2450	1.03(0.89)	1.8	152.5/6.00	2000	1.9(4.19)
BS23DB□	130	26	2800	0.3 max	2500	1.01(0.88)	0.4	152.5/6.00	2000	1.9(4.19)
BS24DA□	24	44	2800	0.3 max	2400	1.80(1.56)	2.6	168.5/6.63	2000	2.1(4.63)
BS24DB□	130	44	2800	0.3 max	2450	1.75(1.52)	0.5	168.5/6.63	2000	2.1(4.63)

※ Run Duty는 정격전압인가 무부하 기준입니다.

Geared motor rated torque

TYPE	GEAR RATIO	6	12	18	30	60	90	180	300	450
BS23DA□	rpm	408.3	204.2	136.1	81.7	40.8	27.2	13.6	8.2	5.4
	kg-cm	5.30	10.60	15.90	26.49	46.09	46.09	46.09	46.09	46.09
	N-m(lb-in)	0.52(4.60)	1.04(9.20)	1.56(13.80)	2.60(23.00)	4.52(40.00)	4.52(40.00)	4.52(40.00)	4.52(40.00)	4.52(40.00)
BS23DB□	rpm	416.7	208.3	138.9	83.3	41.7	27.8	13.9	8.3	5.6
	kg-cm	5.20	10.39	15.59	25.98	46.09	46.09	46.09	46.09	46.09
	N-m(lb-in)	0.51(4.51)	1.02(9.02)	1.53(13.53)	2.55(22.55)	4.52(40.00)	4.52(40.00)	4.52(40.00)	4.52(40.00)	4.52(40.00)
BS24DA□	rpm	400.0	200.0	133.3	80.0	40.0	26.7	13.3	8.0	5.3
	kg-cm	9.26	18.52	27.78	46.09	46.09	46.09	46.09	46.09	46.09
	N-m(lb-in)	0.91(8.04)	1.81(16.08)	2.72(24.11)	4.52(40.00)	4.52(40.00)	4.52(40.00)	4.52(40.00)	4.52(40.00)	4.52(40.00)
BS24DB□	rpm	408.3	204.2	136.1	81.7	40.8	27.2	13.6	8.2	5.4
	kg-cm	9.00	18.00	27.01	45.01	46.09	46.09	46.09	46.09	46.09
	N-m(lb-in)	0.88(7.81)	1.76(15.63)	2.65(23.44)	4.41(39.07)	4.52(40.00)	4.52(40.00)	4.52(40.00)	4.52(40.00)	4.52(40.00)

■ GEAR HEAD와 조합한 경우의 허용 TORQUE입니다. 감속비 1/10의 중간 GEAR HEAD를 접속한 경우의 허용 TORQUE는 30kg-cm입니다.

■ 첫번째 표시된 □는 SPINDLE 형상을 나타내고, 두번째 표시된 □는 감속비를 나타냅니다.

■ 회전방향은 □색이 MOTOR의 회전방향과 동일방향이고, 기타는 MOTOR 회전방향과 반대방향입니다.