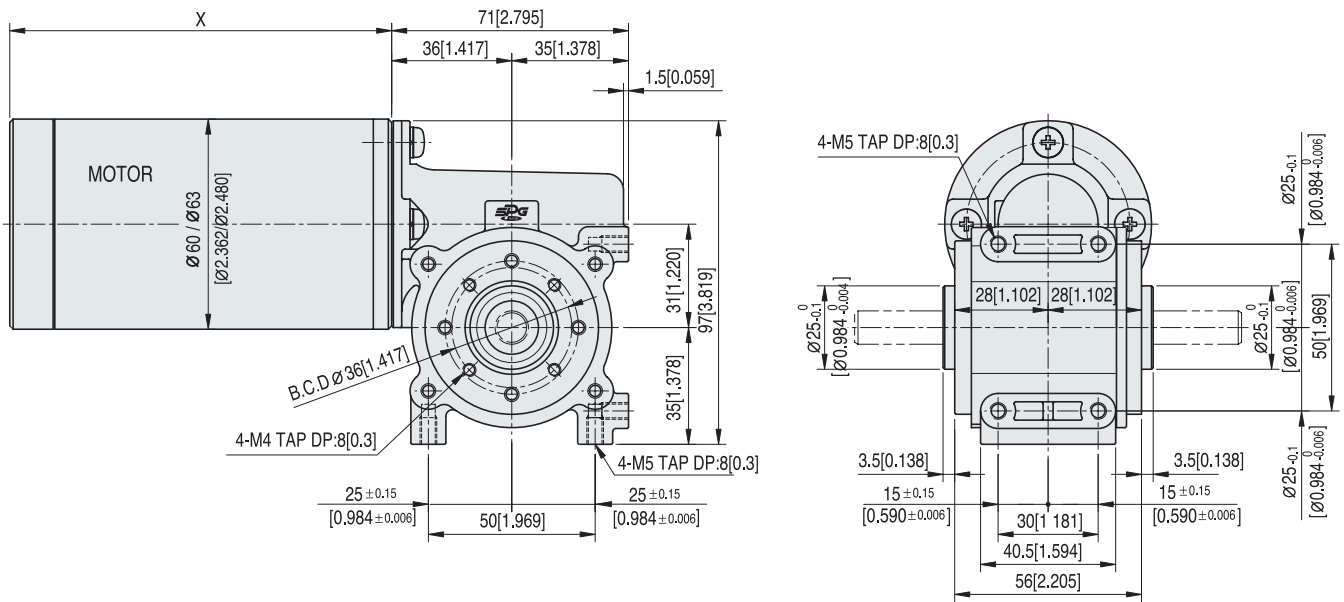




WORM GEARED TYPE RA6 SERIES MOTOR

MOTOR DIMENSION

UNIT : mm[inch]



SHAFT TYPE			OUTPUT DIMENSION
STANDARD (Shaft on left)	SPECIAL (Shaft on right)	SPECIAL (Shaft on both)	

MOTOR SPECIFICATION

Gear Ratio		5	10	15	24	38	50	75
Output Speed(rpm)		740	370	247	154	97	74	49
Efficiency		0.7	0.65	0.55	0.5	0.4	0.35	0.25
Permissible Torque	(kgf-cm)	40						
Weight of Gearbox	(kg)	1						
Axial Load / Thrust Load	(kgf)	30 / 35						