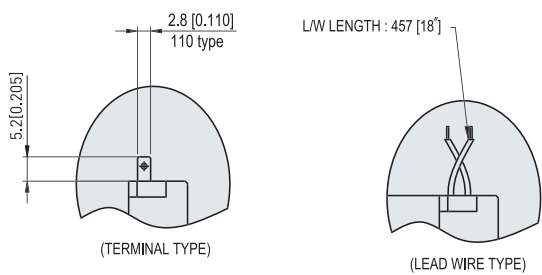
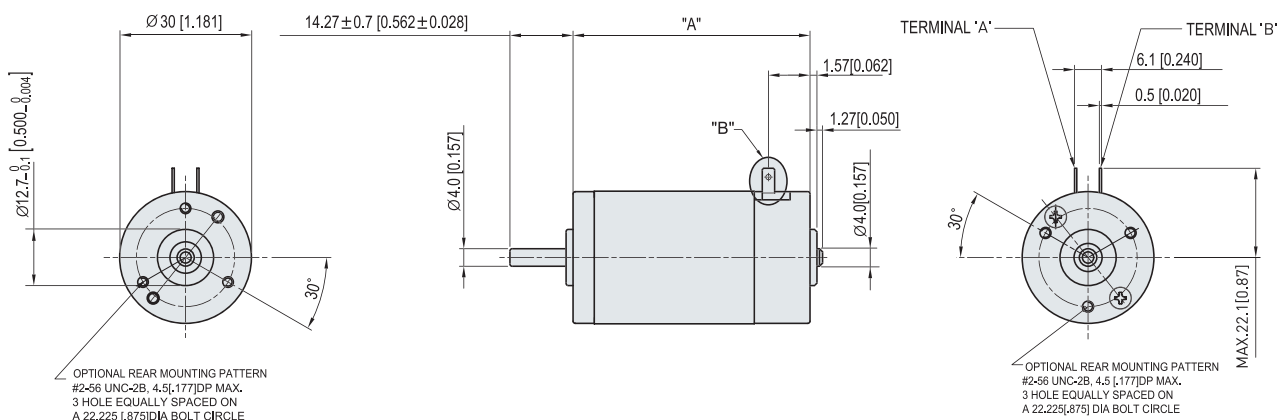




COMPACT TYPE RM3 SERIES MOTOR

MOTOR DIMENSION

UNIT : mm[inch]



DETAIL "B" CONNECTOR METHOD

MODEL NO.	"A"
RM32□□□	50.6 [1.992]
RM33□□□	53.7 [2.114]
RM34□□□	60.0 [2.362]

MOTOR SPECIFICATION

(Voltage : DC 24V)

Type	No Load		Rated			Stall(Peak)		Run Duty	Weight	
	Revolution	Current	Conituous Torque(Max.)	Revolution	Current	Peak Torque	Current			
	RPM	A	-	RPM	A	-	A	Hr	Kg	
RM32B□□	7750	0.24	0.011	N·m	5800	0.55	0.048	N·m	500	0.59
			1.6	oz·in			6.8	oz·in		
			0.11	kgf·cm			0.49	kgf·cm		
RM33B□□	8132	0.28	0.014	N·m	6550	0.62	0.070	N·m	500	0.74
			2.0	oz·in			9.9	oz·in		
			0.14	kgf·cm			0.71	kgf·cm		
RM34B□□	10160	0.40	0.018	N·m	8120	1.11	0.127	N·m	500	0.89
			2.5	oz·in			18.0	oz·in		
			0.18	kgf·cm			1.30	kgf·cm		

※ Run Duty는 정격전압인가 무부하 기준입니다.