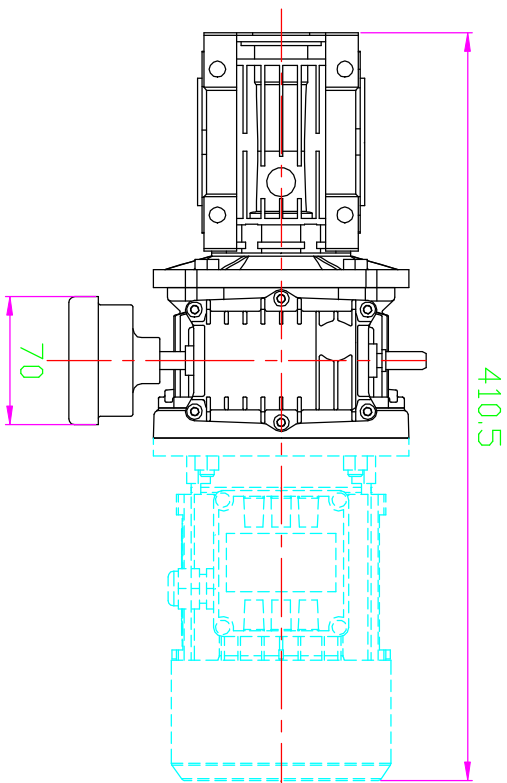


OUTPUT HOLLOW SHAFT



Pos / Weight (kg/oz)	DEMONOMAZIONE / DEMONINATION	SCALE / STD	Material Material	STRATO / STATE
COM. SPP	DIMENSIONALE	SISTORRE RENTORI		

CON. SPP	DISCORDI N. / DRAWING N.	COMPRESSIVO GRUPPO	TREATMENT DEMANOMI RENTORI
NO		MOTOWARD / SPEED VARIATORS	DIRETTA HARDNESS

DIAGNOSTIC GENERAL TOLERANCE OF TOOLING	VERSIONE VERSIONE	SCALE SCALE	SCALE SCALE
ANGOLI ± 30°	WITH 13334+DMS	CH	M

**KUCINE (주) 국제산업기계**  
Motovario Qualified Assembly Centre

**MVC**  
MOTOWAROSEMBL CENTRE

DATE	SCALE	SCALE	SCALE
04/05/23	CH	M	M

**MOTOWARD**  
CENTRE OF EXCELLENCE